

---

# PowerBook G4 - 15 inch

[Hardware & Drivers](#) > [Apple Hardware](#)



2002-11-01



Apple Inc.  
© 2002 Apple Computer, Inc.  
All rights reserved.

No part of this publication may be reproduced, stored in a retrieval system, or transmitted, in any form or by any means, mechanical, electronic, photocopying, recording, or otherwise, without prior written permission of Apple Inc., with the following exceptions: Any person is hereby authorized to store documentation on a single computer for personal use only and to print copies of documentation for personal use provided that the documentation contains Apple's copyright notice.

The Apple logo is a trademark of Apple Inc.

Use of the "keyboard" Apple logo (Option-Shift-K) for commercial purposes without the prior written consent of Apple may constitute trademark infringement and unfair competition in violation of federal and state laws.

No licenses, express or implied, are granted with respect to any of the technology described in this document. Apple retains all intellectual property rights associated with the technology described in this document. This document is intended to assist application developers to develop applications only for Apple-labeled computers.

Every effort has been made to ensure that the information in this document is accurate. Apple is not responsible for typographical errors.

Apple Inc.  
1 Infinite Loop  
Cupertino, CA 95014  
408-996-1010

Apple, the Apple logo, AirPort, Carbon, eMac, FireWire, Mac, Mac OS, Macintosh, PowerBook, QuickTime, SuperDrive, and Velocity Engine are trademarks of Apple Inc., registered in the United States and other countries.

DEC is a trademark of Digital Equipment Corporation.

Intel and Intel Core are registered trademarks of Intel Corporation or its subsidiaries in the United States and other countries.

OpenGL is a registered trademark of Silicon Graphics, Inc.

PowerPC and the PowerPC logo are trademarks of International Business Machines Corporation, used under license therefrom.

Simultaneously published in the United States and Canada.

**Even though Apple has reviewed this document, APPLE MAKES NO WARRANTY OR REPRESENTATION, EITHER EXPRESS OR IMPLIED, WITH RESPECT TO THIS DOCUMENT, ITS QUALITY, ACCURACY, MERCHANTABILITY, OR FITNESS FOR A PARTICULAR PURPOSE. AS A RESULT, THIS DOCUMENT IS PROVIDED "AS IS," AND YOU, THE READER, ARE ASSUMING THE ENTIRE RISK AS TO ITS QUALITY AND ACCURACY.**

**IN NO EVENT WILL APPLE BE LIABLE FOR DIRECT, INDIRECT, SPECIAL, INCIDENTAL, OR CONSEQUENTIAL DAMAGES RESULTING FROM ANY DEFECT OR INACCURACY IN THIS DOCUMENT, even if advised of the possibility of such damages.**

**THE WARRANTY AND REMEDIES SET FORTH ABOVE ARE EXCLUSIVE AND IN LIEU OF ALL OTHERS, ORAL OR WRITTEN, EXPRESS OR IMPLIED. No Apple dealer, agent, or employee is authorized to make any modification, extension, or addition to this warranty.**

**Some states do not allow the exclusion or limitation of implied warranties or liability for incidental or consequential damages, so the above limitation or exclusion may not apply to you. This warranty gives you specific legal rights, and you may also have other rights which vary from state to state.**

# Contents

**Introduction**      **Introduction to PowerBook G4 - 15 inch** 9

---

Organization of This Document 9

**Chapter 1**      **Overview of PowerBook G4 - 15 inch** 11

---

New Features 11  
Features 12  
Appearance 13  
Peripheral Devices 14  
System Software 15  
    Open Firmware 15  
    Computer Identification 15  
    Power-Saving Features 15

**Chapter 2**      **Architecture** 17

---

Block Diagram and Buses 17  
    Block Diagram 17  
    Main ICs and Buses 18  
Microprocessor and Caches 18  
    PowerPC G4 Microprocessor 18  
    Level 2 Cache 19  
    Level 3 Cache 19  
Memory Controller and Bus Bridge 19  
    System RAM 19  
    Boot ROM 20  
    FireWire Controller 20  
    Ethernet Controller 20  
    Video Display Subsystem 20  
I/O Controller 21  
    DMA Support 21  
    Interrupt Support 21  
    USB Interface 22  
    Ultra DMA/66 Interface 22  
    EIDE Interface 22  
    Modem Support 22  
    Sound Circuitry 22  
    Power Controller 23  
    AirPort Card Interface 23  
    CardBus Controller IC 23

**Chapter 3      Devices and Ports    25**

---

- USB Ports 25
  - USB Connectors 25
  - USB Storage Devices 26
- FireWire Port 26
  - FireWire Connector 26
  - FireWire Device Programming 27
  - Target Disk Mode 27
- Ethernet Port 28
- Internal Modem 29
- AirPort Card 30
  - Data Security 30
  - AirPort Hardware 30
  - AirPort Software 31
- Hard Disk Drive 31
  - Hard Disk Dimensions 31
  - Hard Disk Connector 32
- DVD-ROM/CD-RW Combo Drive 35
- DVD-R /CD-RW SuperDrive 36
- Trackpad 37
- Keyboard 37
  - Removing the Keyboard 37
  - Changing the Operation of the Keyboard 37
- Flat-Panel Display 43
- External Monitors 44
  - Dual Display and Mirror Mode 44
  - Analog Monitor Resolutions 44
  - Digital Display Resolutions 45
  - DVI-I Connector 46
- External Video Port 47
- Sound System 48
  - Sound Inputs 48
  - Sound Outputs 49
  - Digitizing Sound 50

**Chapter 4      Expansion Features    51**

---

- RAM Expansion Slots 51
  - Getting Access to the Slots 51
  - Mechanical Design of RAM SO-DIMMs 52
  - Electrical Design of RAM SO-DIMMs 52
  - RAM SO-DIMM Electrical Limits 54
- CardBus Slot 55

**Appendix A**      **Supplemental Reference Documents 57**

---

- Apple Technical Notes 57
- 3D Graphics 57
- PowerPC G4 Microprocessor 57
- Velocity Engine (AltiVec) 58
- Mac OS X 58
- Mac OS 9.2.2 58
- I/O Kit 58
- Open Firmware 59
- RAM Expansion Modules 59
- PC Card Manager 60
- ATA Devices 60
- USB Interface 60
- FireWire Interface 61
- Digital Visual Interface 61
- Wireless Networks 61

**Appendix B**      **Abbreviations 63**

---

- Abbreviations and Standard Units 63
- Other Abbreviations 63



# Figures and Tables

## Chapter 1 Overview of PowerBook G4 - 15 inch 11

---

Figure 1-1	Front view of the computer	14
Figure 1-2	Back view showing I/O ports	14
Table 1-1	Feature changes	11

## Chapter 2 Architecture 17

---

Figure 2-1	Block diagram	17
Table 2-1	Buses supported by the Uni-N IC	19

## Chapter 3 Devices and Ports 25

---

Figure 3-1	USB Type A port	25
Figure 3-2	FireWire connector	26
Figure 3-3	Maximum dimensions of the internal hard disk	32
Figure 3-4	Hard disk connector and location	33
Figure 3-5	Keyboard layout	38
Figure 3-6	Alternate operations of function and control keys	39
Figure 3-7	Embedded numeric keypad operation	40
Figure 3-8	DVI-I connector	46
Figure 3-9	S-video connector	47
Table 3-1	Pin assignments on the USB port	25
Table 3-2	Pin assignments on the FireWire connector	27
Table 3-3	Signals for 10Base-T and 100Base-T operation	28
Table 3-4	Signals for 1000Base-T operation	29
Table 3-5	Pin assignments on the ATA hard disk connector	33
Table 3-6	Signals on the ATA hard disk connector	34
Table 3-7	Types of media read and written by the DVD-ROM/CD-RW drive	35
Table 3-8	Media read and written by the SuperDrive	36
Table 3-9	Setting the default behavior of the function keys	41
Table 3-10	The function keys as control buttons	41
Table 3-11	Embedded keypad keys	42
Table 3-12	Control keys that change	43
Table 3-13	Picture sizes on the flat-panel display	43
Table 3-14	Picture sizes on an analog monitor	44
Table 3-15	Picture sizes on a digital display	45
Table 3-16	Main signals on the DVI-I connector	46
Table 3-17	MicroCross signals on the DVI-I connector	46
Table 3-18	Pin assignments for the S-video output connector	47
Table 3-19	Picture sizes for S-video output	48

**Chapter 4**      **Expansion Features 51**

---

Figure 4-1	Interior view showing RAM expansion slots	52
Table 4-1	Sizes of RAM expansion modules and devices	53
Table 4-2	Types of DRAM devices	54



# Introduction to PowerBook G4 - 15 inch

---

This developer note is a technical description of the PowerBook G4 computer. The note provides information about the computer's internal design, input-output features, and expansion capabilities.

**Note:** This developer note has been updated to include information about the latest product features and configurations.

This developer note is intended to help hardware and software developers design products that are compatible with the Macintosh products described here. If you are not already familiar with Macintosh computers or if you would like additional technical information, you may wish to read the supplementary reference documents described in [Appendix A](#) (page 57).

## Organization of This Document

The information in this note is arranged in four chapters and two appendices.

- [Chapter 1, "Introduction"](#) (page 11) introduces the PowerBook G4 computer and describes its features.
- [Chapter 2, "Architecture"](#) (page 17) describes the internal logic of the computer, including the main ICs that appear in the block diagram.
- [Chapter 3, "Devices and Ports"](#) (page 25) describes the standard I/O ports and the built-in I/O devices.
- [Chapter 4, "Expansion Features"](#) (page 51) describes the expansion features of interest to developers. It includes development guides for expansion-bay devices, the RAM expansion modules, and the PC Card slot.
- [Appendix A](#) (page 57) contains links to supplemental reference documents.
- [Appendix B](#) (page 63) is a list of the abbreviations used in this developer note.

## INTRODUCTION

Introduction to PowerBook G4 - 15 inch

# Overview of PowerBook G4 - 15 inch

This chapter outlines the features of the PowerBook G4 computer, with emphasis on the changes from the previous models.

## New Features

The features that have changed are listed here along with references to the sections that describe them. For a quick summary of the changes, see [Table 1-1](#) (page 11).

- **Processor** The PowerBook G4 computer has a PowerPC G4 microprocessor running at a clock speed of 867 MHz or 1 GHz. For more information, see [“PowerPC G4 Microprocessor”](#) (page 18).
- **Graphics IC and memory** The ATI Mobility Radeon 9000 graphics processor operates on the AGP4x bus along with 32 or 64 MB of DDR RAM. For more information, see [“Video Display Subsystem”](#) (page 20).
- **Hard disk storage** The computer comes with a built-in hard disk drive with a capacity of 40 or 60 GB. For more information and developer guidelines for alternative hard drives, see [“Hard Disk Drive”](#) (page 31).
- **Battery bay** The computer has a 61 watt-hours battery bay.
- **Power adapter** The computer ships with a 65 W power adapter with grounded plug.
- **SuperDrive (DVD-R/CD-RW drive)** Some configurations of the PowerBook G4 computer have a SuperDrive drive. For more information, see [“DVD-R /CD-RW SuperDrive”](#) (page 36).
- **Modem** The computer has a built-in Apple 56 Kbps modem. The modem supports K56flex and V.92 modem standard. For more information, see [“Modem Support”](#) (page 22).
- **AirPort Card standard** An AirPort Card is standard in the 1 GHz model. See [“AirPort Card”](#) (page 30).

**Table 1-1** Feature changes

Feature	Previous model	Current model
Processor	PowerPC G4	PowerPC G4
Processor clock speed	667 or 800 MHz	867 MHz or 1 GHz
Graphics IC	ATI Mobility Radeon 7500	ATI Mobility Radeon 9000
Graphics memory	32 MB of DDR	32 or 64 MB of DDR
Hard disk drive	30 GB on 667 MHz, 40 GB on 800 MHz, or 60 GB CTO	40 GB on 867 MHz and 60 GB on 1 GHz
AirPort Card	Standard on 800 MHz only	Standard on 1 GHz only

Feature	Previous model	Current model
Battery bay	55.3 watt-hours battery bay	61 watt-hours battery bay
Power adapter	45 W power adapter	65 W power adapter
Removable media	DVD-ROM/CD-RW Combo drive	DVD-ROM/CD-RW Combo drive or a DVD-R/CD-RW SuperDrive
Hard drive option	Additional CTO hard drive support	No additional CTO hard drive support

## Features

Here is a list of the features of the PowerBook G4 computer. Each feature is described in a later chapter, as indicated in the list.

- **Processor** The computer has a PowerPC G4 microprocessor running at a clock speed of 867 MHz or 1 GHz. For more information, see [“PowerPC G4 Microprocessor”](#) (page 18).
- **System bus** The speed of the system bus is 133 MHz in all models.
- **Cache location and speed** In addition to the L2 cache, which is internal to the processor IC, the computer also has an L3 cache. See [“Level 2 Cache”](#) (page 19).
- **RAM** The computer has two standard SO-DIMM expansion slots for SDRAM modules. The computer comes with 256 or 512 MB of SDRAM installed. See [“RAM Expansion Slots”](#) (page 51).
- **ROM** The computer has 1 MB of boot ROM used by Open Firmware at startup. For information about the ROM, see [“Boot ROM”](#) (page 20). For information about Open Firmware, see [“Open Firmware”](#) (page 59).
- **Hard disk storage** The computer comes with a built-in hard disk drive with a capacity of 40 or 60 GB. For more information and developer guidelines for alternative hard drives, see [“Hard Disk Drive”](#) (page 31).
- **Display** The display is a 15.2 inch wide-screen TFT (1280 by 854 pixels) with a resolution of 101.4 dpi. See [“Flat-Panel Display”](#) (page 43).
- **External monitor** All configurations support an external video monitor, using the DVI-I connector for a digital video display and an S-video connector for a PAL or NTSC video monitor. (A VGA adapter and an S-video-to-composite adapter are included and an ADC adapter is available separately.) See [“External Monitors”](#) (page 44).
- **Graphics IC and memory** The ATI Mobility Radeon 9000 graphics controller operates on the AGP4x bus along with 32 or 64 MB of video RAM. For more information, see [“Video Display Subsystem”](#) (page 20).
- **Battery bay** The computer has a single battery bay. The battery uses lithium ion cells and provides 61 watt-hours at 14.4 V (nominal).
- **Power adapter** The computer comes with a 65 W power adapter with grounded plug.
- **DVD-ROM/CD-RW Combo drive** Some configurations have a built-in DVD-ROM/CD-RW drive. See [“DVD-ROM/CD-RW Combo Drive”](#) (page 35).
- **SuperDrive (DVD-R/CD-RW drive)** Some configurations of the PowerBook G4 computer have a built-in DVD-R/CD-RW SuperDrive drive. For more information, see [“DVD-R /CD-RW SuperDrive”](#) (page 36).

- **CardBus slot** The computer has a CardBus slot that accepts one Type I or Type II PC card or a CardBus Card. For more information, see [“CardBus Slot”](#) (page 55).
- **USB ports** The computer has two USB 1.1 ports for an external keyboard, a mouse, and other USB devices, described in [“USB Ports”](#) (page 25).
- **FireWire port** The computer has one IEEE-1394a high-speed serial FireWire port, which supports transfer rates of 100, 200, and 400 Mbps. For more information, see [“FireWire Port”](#) (page 26).
- **Target disk mode** The PowerBook G4 computer can act like a FireWire storage device connected to another computer. See [“Target Disk Mode”](#) (page 27)
- **Modem** The computer has a built-in modem with 56 Kbps data rate and V.92 support. For more information, see [“Internal Modem”](#) (page 29).
- **Ethernet** The computer has a built in Ethernet port with an RJ-45 connector for 10Base-T, 100Base-T, and 1000Base-T operation. For more information, see [“Ethernet Port”](#) (page 28).
- **AirPort Card** An AirPort Card wireless LAN module is standard on the 1 GHz model and optional on the 867 MHz model. For more information, see [“AirPort Card”](#) (page 30).
- **Sound** The computer has a built-in microphone and stereo speakers as well as a stereo headphone jack and a sound input jack. See [“Sound System”](#) (page 48).
- **Keyboard** The keyboard has an embedded numeric keypad and inverted-T arrow keys. Some of the function keys are used to control the display brightness and speaker volume; the other function keys are programmable by the user. See [“Keyboard”](#) (page 37).
- **Trackpad** The integrated trackpad includes tap/double-tap and drag features. For more information, see [“Trackpad”](#) (page 37).
- **Weight** The basic configuration weighs 2.4 kg (5.4 pounds).
- **Size** The computer is 341 mm (13.4 inches) wide, 241 mm (9.49 inches) deep, and 26.3 mm (1.04 inches) thick.

## Appearance

[Figure 1-1](#) (page 14) is a front view of the PowerBook G4 computer. [Figure 1-2](#) (page 14) is a back view showing the I/O ports.

Figure 1-1 Front view of the computer

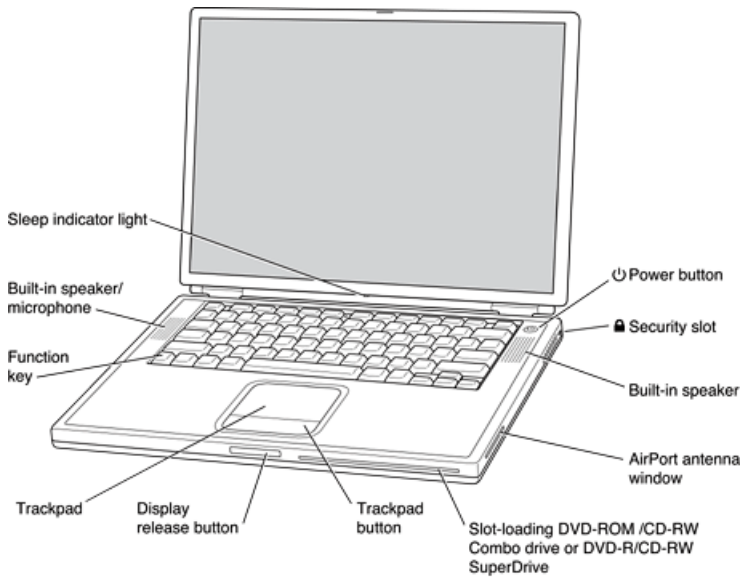
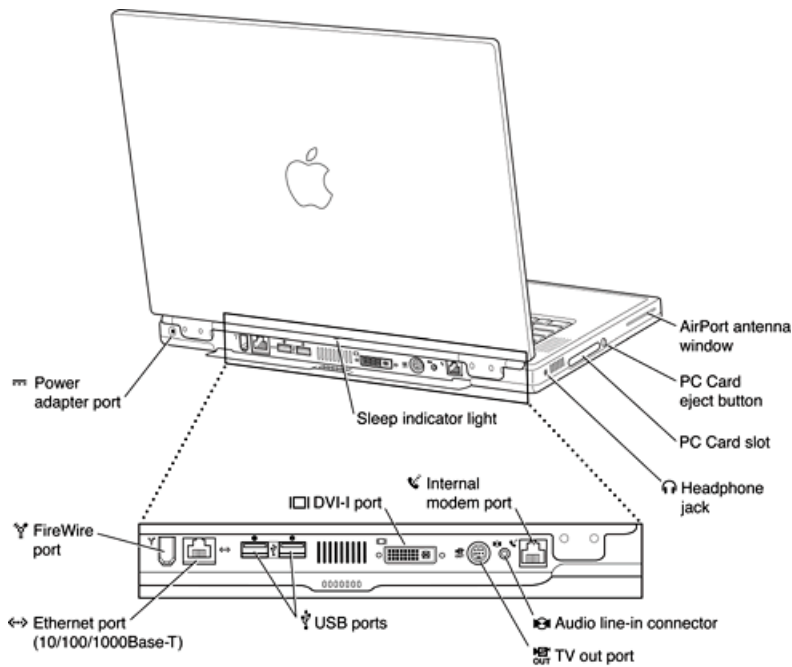


Figure 1-2 Back view showing I/O ports



## Peripheral Devices

In addition to the devices that are included with the computer, several peripheral devices are available separately:

- The PowerBook G4 Rechargeable Battery is available separately as an additional or replacement battery.

- The Apple Portable Power Adapter, which comes with the computer, is also available separately. The adapter can fully recharge a completely depleted battery in three hours or less while the computer is running, shut down, or in sleep mode.
- The Apple DVI to ADC Adapter, which enables the PowerBook G4 computer to support Apple's ADC displays, is available separately.
- The Apple Pro Keyboard, a full-featured USB keyboard, is available separately.
- The Apple Pro Mouse, an optical USB mouse, is available separately.
- The AirPort Base Station is available separately.
- The AirPort Card is also available separately.
- A power cable for use on airliners is also available. The airline power cable should have a sense resistor of 24.3K ohms connected between the power plug's shell and ground. For more information, see ["Power Controller"](#) (page 23).

## System Software

The PowerBook G4 computer comes with both Mac OS X version 10.2 and Mac OS 9.2.2 installed. Mac OS X is the default startup system. For the latest information, see the references listed in ["Mac OS X"](#) (page 58) and ["Mac OS 9.2.2"](#) (page 58).

Here are a few items of interest about the system software on the PowerBook G4 computer.

### Open Firmware

---

System software on all current Macintosh models uses a design based on Open Firmware. With this approach, the ROM on the main logic board contains only the Open Firmware code needed to initialize the hardware and load an operating system. The rest of the system code is loaded into RAM from disk or from the network. For more information, see the references listed in ["Open Firmware"](#) (page 59).

### Computer Identification

---

Rather than reading the box flag or the model string and then making assumptions about the computer's features, applications that need to find out the features of the computer should use IORegistry calls to test for the features they require. IORegistry calls are part of the I/O Kit API. For more information, see the references listed at ["I/O Kit"](#) (page 58).

Asset management software that reports the kind of computer it is running on can obtain the value of the model property from the IOService plane of the IORegistry. For the PowerBook G4 computer, the value of the model property is `PowerBook3,5`.

### Power-Saving Features

---

The PowerBook G4 computer has several profiles to save power. These profiles are labeled on the Energy Saver panel of System Preferences.

## Reduced Processor Speed

---

Reduced processor speed allows the software to change the processor's clock speed, slowing down to conserve power or speeding up when more speed is needed. The slower clock speed is 667 MHz and the L3 cache is turned off.

- The system software uses a reduced processor speed to automatically conserve power under the following conditions:
  - during system startup
  - when battery charge is low
  - when there is no battery installed
  - when using airline power
- The user interface for the reduced processor speed is located in the options tab under the Energy Saver panel in System Preferences.

## Operating Modes

---

The power management protocols on the PowerBook G4 computer support two power-saving modes: idle and sleep.

- **Idle:** The system is idling with the main processor stopped in a halted, low-power state. All clocks are running; the system can return to running code within a few nanoseconds. Cache coherency is maintained in this state.
- **Sleep:** The system is completely shut down, with only the DRAM state preserved for quick recovery. All processors are powered off with their state preserved in DRAM. All clocks in the system are suspended except for the 32.768 kHz timebase crystal on the PMU99 IC.

The computer automatically enters Idle mode after several seconds of inactivity. If the computer is attached to a network, it is able to respond to service requests and other events directed to the computer while it is in Idle mode.

While it is connected to an AC power supply, the computer can also respond to network activity when it is in sleep mode. The user can enable this feature by selecting Wake-on-LAN in the Energy Saver control panel.

When operating on the battery in sleep mode, the computer consumes less than 1 watt of power, meeting the Energy Star power-saving standard. When operating on the power adapter in sleep mode, the combined computer and adapter consume 3 to 4 watts of power.

**Important:** Peripherals such as PCMCIA cards and USB devices that do not conform to the computer's power management protocols prevent the computer from switching to sleep mode and so deny the user the benefits of this energy-saving mode. When such peripherals are attached to the computer, the operating system displays a dialog to inform the user that the computer no longer meets the Energy Star requirements.



# Architecture

This chapter describes the architecture of the PowerBook G4 computer. It includes information about the major components on the main logic board: the microprocessor, the other main ICs, and the buses that connect them to each other and to the I/O interfaces.

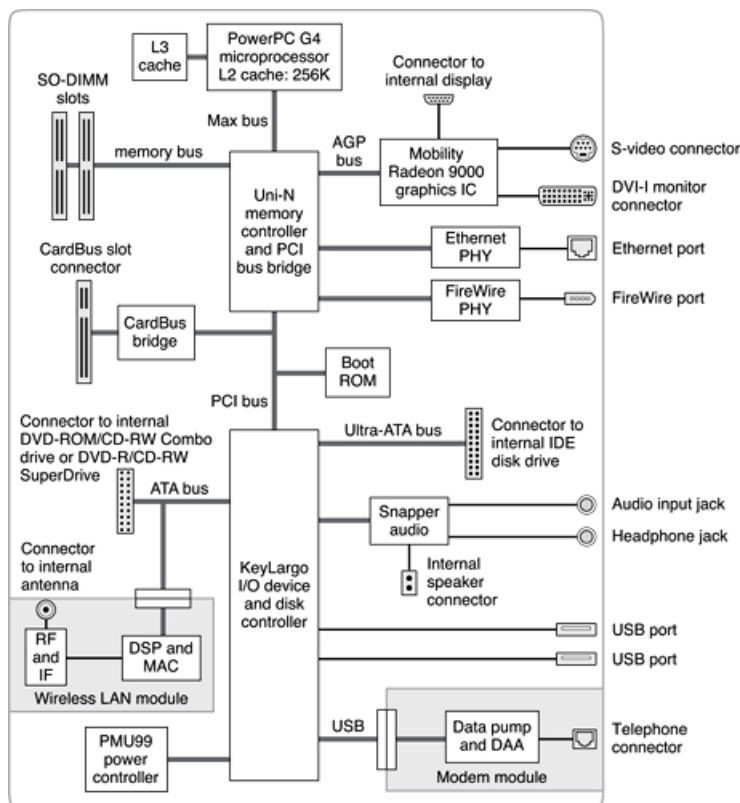
## Block Diagram and Buses

This section is an overview of the major ICs and buses on the computer's main logic board.

### Block Diagram

Figure 2-1 (page 17) is a simplified block diagram of the main logic board. The diagram shows the input and output connectors, the main ICs, and the buses that connect them together.

Figure 2-1 Block diagram



## Main ICs and Buses

---

The architecture of the PowerBook G4 computer is designed around the PowerPC G4 microprocessor and two custom ICs: the Uni-N memory controller and bus bridge, and the KeyLargo I/O device controller. Those three ICs occupy the center of the block diagram.

The PowerPC G4 microprocessor is connected to the Uni-N memory controller and bus bridge IC by a MaxBus bus. The bus clock speed is 133 MHz. The Uni-N IC has other buses that connect with the KeyLargo IC, the main system RAM, and the graphics IC. The buses implemented by the Uni-N IC are summarized in Table 2-1, which is in the section “[Memory Controller and Bus Bridge](#)” (page 19).

The Uni-N IC is connected to the KeyLargo I/O controller IC by a 32-bit PCI bus with a bus clock speed of 33 MHz. That bus also connects to the Boot ROM and the CardBus controller. The KeyLargo IC has other buses that connect with the hard disk drive and the optical drive, the power controller IC, the sound IC, the internal modem module, and the wireless LAN module.

Each of the components listed here is described in one of the following sections.

## Microprocessor and Caches

The microprocessor communicates with the rest of the system by way of a 64-bit MaxBus bus to the Uni-N IC. The microprocessor has a separate bus to its internal second-level cache.

### PowerPC G4 Microprocessor

---

The PowerPC G4 microprocessor used in the PowerBook G4 computer has many powerful features, including an efficient pipelined system bus called MaxBus.

Features of the PowerPC G4 include

- 32-bit PowerPC implementation
- superscalar PowerPC core
- Velocity Engine (AltiVec technology): 128-bit-wide vector execution unit
- dual 32 KB instruction and data caches
- an on-chip level 2 (L2) cache consisting of 256 KB with a clock speed ratio of 1:1
- high bandwidth MaxBus (also compatible with 60x bus)
- fully symmetric multiprocessing capability

The PowerPC G4 microprocessor in the PowerBook G4 computer runs at a clock speed of 867 MHz or 1 GHz.

## Level 2 Cache

---

The data storage for the L2 cache consists of 256 KB of fast static RAM that is built into the microprocessor chip along with the cache controller and tag storage. The built-in L2 cache runs at the same clock speed as the microprocessor.

## Level 3 Cache

---

The data storage for the L3 cache is 1 MB of DDR SRAM running at a clock speed ratio of 5:1. The tag storage for the L3 cache is built into the microprocessor.

## Memory Controller and Bus Bridge

The Uni-N memory controller and bus bridge IC provides cost and performance benefits by combining several functions into a single IC. It contains the memory controller, the PCI bus bridge, the Ethernet and FireWire interfaces, and the AGP interface.

Each of the separate communication channels in the Uni-N IC can operate at its full capacity without degrading the performance of the other channels.

In addition to the four buses listed in Table 2-1, the Uni-N IC also has separate interfaces to the physical layer (PHY) ICs for Ethernet and FireWire, and an IIC (inter-IC control bus) interface that is used for configuring the memory subsystem.

**Table 2-1** Buses supported by the Uni-N IC

Bus	Destinations	Width of data path	Bus clock speed
MaxBus	Microprocessor	64 bits	133 MHz
Memory	System RAM	64 bits	133 MHz
PCI	KeyLargo IC and Boot ROM	32 bits	33 MHz
AGP	Graphics IC	32 bits	133 MHz

The microprocessor and the I/O controller IC are described in their own sections. The following sections describe the other subsystems that are connected to the Uni-N IC.

## System RAM

---

The memory subsystem in the PowerBook G4 computer supports two slots for 144-pin SO-DIMMs (small-outline dual inline memory modules). The data bus to the RAM and DIMM is 64 bits wide, and the memory interface is synchronized to the MaxBus bus interface at 133 MHz. See [“RAM Expansion Slots”](#) (page 51).

## Boot ROM

---

The boot ROM is connected to the Uni-N IC by way of the high byte of the PCI bus plus three additional control signals: chip select, write enable, and output enable. The boot ROM is a 1 MB by 8 bit device.

## FireWire Controller

---

The Uni-N IC includes an IEEE 1394a FireWire controller with a maximum data rate of 400 Mbits (50 MB) per second. The Uni-N IC provides DMA (direct memory access) support for the FireWire interface.

The controller in the Uni-N IC implements the FireWire link layer. A physical layer IC, called a PHY, implements the electrical signaling protocol of the FireWire interface and provides the electrical signals to the port. For more information, see [“FireWire Connector”](#) (page 26).

## Ethernet Controller

---

The Uni-N IC includes an Ethernet media access controller (MAC) that implements the link layer. The Uni-N IC provides DB-DMA support for the Ethernet interface.

The Ethernet controller in the Uni-N IC is connected to a PHY interface IC that provides the electrical signals to the port. The PHY is capable of operating in either 10Base-T, 100Base-T, or 1000Base-T mode: The actual speed of the link is automatically negotiated by the PHY and the bridge or router to which it is connected. For more information, see [“Ethernet Port”](#) (page 28).

The PHY supports Auto-MDIX, which allows the use of straight-through cables in crossover situations (and conversely). For more information, see [“Ethernet Port”](#) (page 28).

## Video Display Subsystem

---

The video display subsystem contains the graphics controller IC along with either 32 MB of DDR memory in the 867 MHz computer or 64 MB of DDR memory (32 MB internal and another 32 MB external to the IC) in the 1 GHz computer. The graphics IC, an ATI Mobility Radeon 9000, contains 2D and 3D acceleration engines, front-end and back-end scalars, a CRT controller, and an AGP4x bus interface with bus master capability.

The features of the Mobility Radeon 9000 include

- graphics processor clock speed of 200 MHz
- memory clock speed of 200 MHz
- support for 32 MB of DDR video memory with 64-bit interface
- support for 64 MB of DDR video memory with 128-bit interface
- 2D and 3D graphics acceleration
- transform acceleration
- lighting acceleration
- video acceleration
- support for MPEG decoding

- support for video mirror mode
- support for dual-display mode
- S-video output for a TV monitor
- support for programmable pixel and vertex shading

The interface between the graphics IC and the rest of the system is an AGP4x (accelerated graphics port, quadruple speed) bus on the Uni-N IC. To give the graphics IC fast access to system memory, the AGP bus has separate address and data lines and supports deeply pipelined read and write operations. The AGP bus has 32 data lines and a clock speed of 133 MHz.

The graphics IC uses a graphics address remapping table (GART) to translate AGP logical addresses into physical addresses. The graphics driver software can allocate memory in both the graphics SDRAM and the main memory.

The graphics IC supports the built-in flat-panel display and an external monitor. The external monitor can either mirror the built-in display or show additional desktop space (dual-display mode). For information about the displays and supported resolutions, see “[Flat-Panel Display](#)” (page 43) and “[External Monitors](#)” (page 44).

## I/O Controller

The I/O controller IC in the PowerBook G4 computer is a custom IC called KeyLargo. It provides the interface and control signals for the devices and functions described in the following sections.

**Note:** In the device tree, the I/O controller is named “mac-io”.

### DMA Support

---

The KeyLargo IC provides DB-DMA (descriptor-based direct memory access) support for the following I/O channels:

- Ultra DMA ATA interface to the the internal hard drive
- modem slot interface to the built-in modem
- IIS channel to the sound IC

The DB-DMA system provides a scatter-gather process based on memory resident data structures that describe the data transfers. The DMA engine is enhanced to allow bursting of data files for improved performance.

### Interrupt Support

---

The KeyLargo IC has an interrupt controller (MPIC) that handles interrupts generated within the IC as well as external interrupts, such as those from the Ethernet and FireWire controllers.

## USB Interface

---

The KeyLargo IC implements two independent USB controllers (root hubs), each of which is connected to one of the ports on the back panel of the computer. The use of two independent controllers allows both USB ports to support high data rate devices at the same time with no degradation of their performance. If a user connects a high-speed (12 Mbps) device to one port and another high-speed device to the other, both devices can operate at their full data rates.

The two external USB connectors support USB devices with data transfer rates of 1.5 Mbps or 12 Mbps. For more information about the connectors, see “[USB Connectors](#)” (page 25).

USB devices connected to the PowerBook G4 computer are required to support USB-suspend mode as defined in the USB specification. Information about the operation of USB-suspend mode on Macintosh computers is included in the *Mac OS USB DDK API Reference*. To obtain it, see the reference at “[USB Interface](#)” (page 60).

The USB ports on the PowerBook G4 computer comply with the Universal Serial Bus Specification 1.1 Final Draft Revision. The USB controllers comply with the Open Host Controller Interface (OHCI) specification.

## Ultra DMA/66 Interface

---

The KeyLargo IC provides an Ultra DMA/66 channel that is connected to the internal hard disk drive. The KeyLargo IC provides DB-DMA (descriptor-based direct memory access) support for the Ultra DMA interface.

The internal hard disk drive is connected as device 0 (master) in an ATA Device 0/1 configuration.

## EIDE Interface

---

The KeyLargo IC provides an EIDE interface (ATA bus) that supports the Combo (DVD-ROM/CD-RW) drive, SuperDrive (DVD-R/CD-RW) drive, and the wireless LAN module. The Combo and SuperDrive drives are ATAPI drives and are device-selected as master in an ATA device configuration.

## Modem Support

---

The internal modem is connected to an internal USB port. The KeyLargo IC provides DB-DMA support for the modem interface. The modem provides digital call progress signals to the Snapper sound circuitry.

The internal modem is a separate module that contains the data pump IC and the interface to the telephone line (DAA). For more information about the modem, see “[Internal Modem](#)” (page 29).

## Sound Circuitry

---

The sound circuitry, called Snapper, is connected to the KeyLargo IC by a standard IIS (inter-IC sound) bus. The KeyLargo IC provides DB-DMA (descriptor-based direct memory access) support for the IIS port.

**Note:** In the device tree, the sound circuitry is named “sound”.

The Snapper circuitry includes a signal processing IC that handles the equalization and volume control functions, a codec IC that performs A-to-D and D-to-A conversion, and a power amplifier that drives the headphone jack.

All audio is handled digitally inside the computer. The Snapper circuitry performs digital-to-analog conversion for the audio signals to the internal speakers and the headphone jack.

For a description of the features of the sound system, see [“Sound System”](#) (page 48).

## Power Controller

---

The PowerBook G4 computer can operate from a 15 volt power outlet on an airline, but for safety reasons, the computer will not allow battery charging. In order for the computer to detect the connection to airline power, the airline power cable should have a sense resistor of 24.3K ohms connected between the power plug's shell and ground.

The PowerBook G4 computer has a new variable speed fan control circuit and a new thermal circuit that will force the unit to sleep if the processor temperature exceeds 85 degrees Celsius. The circuit remains active during sleep so that it can continue to poll the temperature.

The power management controller in the PowerBook G4 computer is a custom IC called the PMU99. It supports several power-saving modes of operation, including idle, doze, and sleep. For more information, see [“Power-Saving Features”](#) (page 15).

**Note:** In the device tree, the power controller is named “via-pmu”.

## AirPort Card Interface

---

The interface between the AirPort Card and the KeyLargo IC uses the same data bus as the optical drive but has its own control signals.

The AirPort Card contains a media access controller (MAC), a digital signal processor (DSP), and a radio-frequency (RF) section. The card has a connector for the cable to the antennas.

Two antennas are built into the computer's case. To improve reception, a diversity module between the antennas and the card measures the signal strength from both antennas and selects the stronger signal for the AirPort Card.

The design of the AirPort Card is based on the IEEE 802.11 standard. The card transmits and receives data at up to 11 Mbps and is compatible with older systems that operate at 1 or 2 Mbps. For information about its operation, see [“AirPort Card”](#) (page 30).

## CardBus Controller IC

---

The interface to the PC Card slot is connected to the PCI bus. The CardBus controller IC is a PCI1410A device made by Texas Instruments. It supports both 16-bit PC Cards and 32-bit CardBus Cards.





# Devices and Ports

This chapter describes both the built-in I/O devices and the ports for connecting external I/O devices. Each of the following sections describes an I/O port or device.

## USB Ports

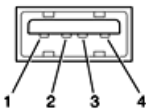
The PowerBook G4 computer has two external USB 1.1 ports that can be used to connect additional I/O devices such as a USB mouse, printers, scanners, and low-speed storage devices.

The USB ports on the PowerBook G4 computer comply with the Universal Serial Bus Specification 1.1 Final Draft Revision. For more information about USB on Macintosh computers, consult the references at [“USB Interface”](#) (page 60).

## USB Connectors

The USB ports use USB Type A connectors, which have four pins each. Two of the pins are used for power and two for data. [Figure 3-1](#) (page 25) is an illustration of a Type A port and matching connector. [Table 3-1](#) shows the pin assignments.

**Figure 3-1** USB Type A port



**Table 3-1** Pin assignments on the USB port

Pin	Signal name	Description
1	VCC	+5 VDC
2	D-	Data -
3	D+	Data +
4	GND	Ground

The computer provides 5-volt power at 500 mA for each of the two ports.

The USB ports support both low-speed and high-speed data transfers, at up to 1.5 Mbits per second and 12 Mbits per second, respectively. High-speed operation requires the use of shielded cables.

The PowerBook G4 computer comes with version 1.3 of the Macintosh USB system software, which supports all four data transfer types defined in the USB specification.

USB devices can provide a remote wakeup function for the computer. The USB root hub in the computer is set to support remote wakeup whenever a device is attached to the bus.

## USB Storage Devices

---

Class drivers are software components that are able to communicate with many USB devices of a particular kind. If the appropriate class driver is present, any number of compliant devices can be plugged in and start working immediately without the need to install additional software. The Mac OS for the PowerBook G4 computer includes USB Mass Storage Support 2.0, a class driver that supports devices that meet the USB Mass Storage Class specification.

## FireWire Port

The PowerBook G4 computer has one external FireWire IEEE 1394a port. The FireWire port

- supports serial I/O at 100, 200, and 400 Mbps (megabits per second)
- provides up to 6 watts of power when the computer system is on or when the power adapter is connected
- supports booting the system from a mass storage device
- supports target disk mode

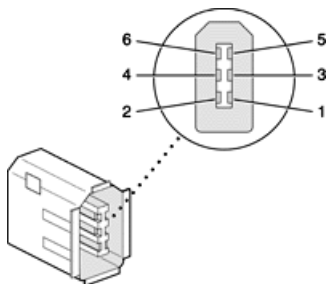
The FireWire hardware and software provided with the PowerBook G4 computer are capable of all asynchronous and isochronous transfers defined by IEEE standard 1394.

## FireWire Connector

---

The FireWire connector has six contacts, as shown in [Figure 3-2](#) (page 26). The connector pin assignments are shown in Table 3-2.

**Figure 3-2** FireWire connector



**Table 3-2** Pin assignments on the FireWire connector

Pin	Signal name	Description
1	Power	Unregulated DC; 12–17 V no load
2	Ground	Ground return for power and inner cable shield
3	TPB-	Twisted-pair B, differential signals
4	TPB+	Twisted-pair B, differential signals
5	TPA-	Twisted-pair A, differential signals
6	TPA+	Twisted-pair A, differential signals
Shell	—	Outer cable shield

When the computer is on or the power adapter is connected, the power pin provides a maximum voltage of 17 V (no load) and up to 6 W power. Maximum current is 0.5 A and is controlled by an auto-resetting fuse.

Pin 2 of the 6-pin FireWire connector is ground for both power and the inner cable shield. If a 4-pin connector is used on the other end of the FireWire cable, its shell should be connected to the wire from pin 2.

The signal pairs are crossed in the cable itself so that pins 5 and 6 at one end of the cable connect with pins 3 and 4 at the other end. When transmitting, pins 3 and 4 carry data and pins 5 and 6 carry clock; when receiving, the reverse is true.

## FireWire Device Programming

---

Developers of FireWire peripherals are required to provide device drivers. A driver for DV (digital video) is included in QuickTime.

The PowerBook G4 computer can boot from a FireWire storage device that implements SBP-2 (Serial Bus Protocol) with the RBC (reduced block commands) command set. Detailed information is available only under non-disclosure agreement; contact Developer Technical Support at [dts@apple.com](mailto:dts@apple.com).

For additional information about the FireWire interface and the Apple API for FireWire device control, refer to the resources listed at [“FireWire Interface”](#) (page 61).

## Target Disk Mode

---

One option at boot time is to put the computer into a mode of operation called target disk mode. This mode is similar to SCSI disk mode on a PowerBook computer equipped with a SCSI port, except it uses a FireWire connection instead of a special SCSI cable.

When the PowerBook G4 computer is in target disk mode and connected to another Macintosh computer by a FireWire cable, the PowerBook G4 computer operates like a FireWire mass storage device with the SBP-2 (Serial Bus Protocol) standard. Target disk mode has two primary uses:

- high-speed data transfer between computers

- diagnosis and repair of a corrupted internal hard drive

The PowerBook G4 computer can operate in target disk mode as long as the other computer has a FireWire port and is running either

- Mac OS X (any version)
- Mac OS 9 with FireWire software 2.3.3 or later

To put the computer into target disk mode, the user holds down the T key while the computer is starting up. When Open Firmware detects the T key during the boot process, it transfers control to special Open Firmware code.

To take the computer out of target disk mode, the user presses the power button.

For more information about target disk mode, see the section “Target Mode” in Technical Note TN1189, The Monster Disk Driver Technote. The note is available on the Technical Note website at

<http://developer.apple.com/technotes/>

## Ethernet Port

The PowerBook G4 computer has a built-in Ethernet port that supports 10Base-T, 100Base-T, and 1000Base-T transfer rates. In operation, the actual speed of the link is auto-negotiated between the computer’s PHY device and the network bridge or router to which it is connected.

The connector for the Ethernet port is an RJ-45 connector on the back of the computer. Table 3-3 shows the signals and pin assignments for 10Base-T and 100Base-T operation. Table 3-4 shows the signals and pin assignments for 1000Base-T operation.

**Table 3-3** Signals for 10Base-T and 100Base-T operation

Pin	Signal name	Signal definition
1	TXP	Transmit (positive lead)
2	TXN	Transmit (negative lead)
3	RXP	Receive (positive lead)
4	–	Not used
5	–	Not used
6	RXN	Receive (negative lead)
7	–	Not used
8	–	Not used

**Table 3-4** Signals for 1000Base-T operation

Pin	Signal name	Signal definition
1	TRD+(0)	Transmit and receive data 0 (positive lead)
2	TRD-(0)	Transmit and receive data 0 (negative lead)
3	TRD+(1)	Transmit and receive data 1 (positive lead)
4	TRD+(2)	Transmit and receive data 2 (positive lead)
5	TRD-(2)	Transmit and receive data 2 (negative lead)
6	TRD-(1)	Transmit and receive data 1 (negative lead)
7	TRD+(3)	Transmit and receive data 3 (positive lead)
8	TRD-(3)	Transmit and receive data 3 (negative lead)

To interconnect two computers for 1000Base-T operation, you must use 4-pair cable (Category 5 or 6).

The Ethernet port on the PowerBook G4 computer supports Auto-MDIX: It switches between MDI (Medium Dependent Interface) and MDI-X operation automatically, so it can be connected to another device by either a straight-through cable or a cross-over cable.

The Ethernet interface in the PowerBook G4 computer conforms to the ISO/IEC 802.3 specification, where applicable, and complies with IEEE specifications 802.3i (10Base-T), 802.3u-1995 (100Base-T), and 802.3ab (1000Base-T).

## Internal Modem

The PowerBook G4 computer comes with a built-in modem. The connector for the modem is an RJ-11 connector on the back of the computer.

The modem has the following features:

- modem bit rates up to 56 Kbps (supports K56flex and V.92 modem standards)
- Group 3 fax modem bit rates up to 14.4 Kbps

The modem is connected to an internal USB port and is a vendor-specific USB device. The modem driver controls the modem hardware and presents a virtual serial port to the operating system and applications. Applications that bypass the operating system's modem driver and communicate directly with the SCC will not work properly.

## AirPort Card

The PowerBook G4 computer supports the AirPort Card, an internal wireless LAN module, which is standard on the 1 GHz model PowerBook G4 computer and optional on the 867 MHz model.

By communicating wirelessly with a base station, the AirPort Card can be used for internet access, email access, and file exchange. A base station provides the connection to the Internet or the bridge between the wireless signals and a wired LAN or both. The AirPort Base Station has connectors for a wired LAN, a DSL or cable modem, and a standard telephone line using its built-in 56k modem.

AirPort transmits and receives data at speeds up to 11 Mbps, comparable to wired networking speeds. AirPort is Wi-Fi Certified, which means it is fully compatible with other devices that follow the IEEE 802.11b standard, including PCs. For more information about Wi-Fi and compatibility, see the reference at [“Wireless Networks”](#) (page 61).

## Data Security

---

AirPort has several features designed to maintain the security of the user’s data.

- The system uses direct-sequence spread-spectrum (DSSS) technology that uses a multibit spreading code that effectively scrambles the data for any receiver that lacks the corresponding code.
- The system can use an Access Control List of authentic network client ID values (wireless and MAC addresses) to verify each client’s identity before granting access to the network.
- When communicating with a base station, AirPort uses up to 128-bit encryption to encode data while it is in transit.
- The AirPort Base Station can be configured to use NAT (Network Address Translation), protecting data from Internet hackers.
- The AirPort Base Station can authenticate users by their unique Ethernet IDs, preventing unauthorized computers from logging into your network. Network administrators can take advantage of RADIUS compatibility, used for authenticating users over a remote server. Smaller networks can offer the same security using a local look-up table located within the base station.

As an additional data security measure, VPN can be used in conjunction with the AirPort data security

## AirPort Hardware

---

The AirPort Card is a wireless LAN module based on the IEEE 802.11 standard and using direct-sequence spread-spectrum (DSSS) technology. It is interoperable with PC-compatible wireless LANs that conform to the 802.11b standard and use DSSS.

Two AirPort antennas are built into the computer’s cover, on either side of the flat-panel display. One antenna is always used for transmitting. Either of the two antennas may be used for receiving. Using a diversity technique, the AirPort Card selects the antenna that gives the best reception.

## AirPort Software

---

The AirPort Card includes software for setting up and using the card:

- AirPort Setup Assistant, an easy-to-use program that guides users through the steps necessary to set up the AirPort Card or set up an AirPort Base Station.
- Users can switch between wireless networks and can create and join peer-to-peer networks. In Mac OS X, these functions are accessed via the AirPort status menu. In Mac OS 9, these functions are available through the AirPort application.
- AirPort Admin Utility, a utility for advanced users and system administrators. With it the user can edit the administrative and advanced settings needed for some advanced configurations.

## Hard Disk Drive

The PowerBook G4 computer has an internal hard disk drive with a storage capacity of 40 or 60 GB. The drive has fluid dynamic bearings for quieter operation. The drive uses the Ultra DMA IDE (integrated drive electronics) interface and is ATA-5 compatible. Current Data Transfer Mode for the drive is UDMA-66.

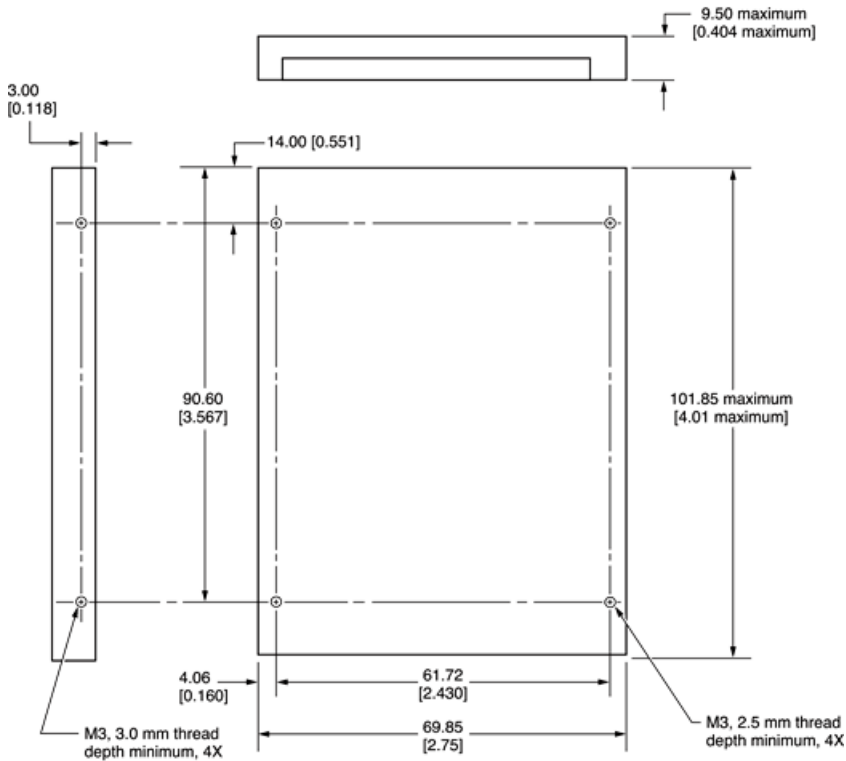
The software that supports the internal hard disk is the same as that in previous models with internal IDE drives and includes DMA support. For the latest information about that software, see Technical Note TN1098, *ATA Device Software Guide Additions and Corrections*. The web page for Technical Note TN1098 includes a link to a downloadable copy of *ATA Device Software Guide*.

To obtain the reference documents listed here, see the reference links at [“ATA Devices”](#) (page 60).

## Hard Disk Dimensions

---

[Figure 3-3](#) (page 32) shows the maximum dimensions of the hard disk and the location of the mounting holes. The minimum clearance between any conductive components on the drive and the bottom of the mounting envelope is 0.5 mm.

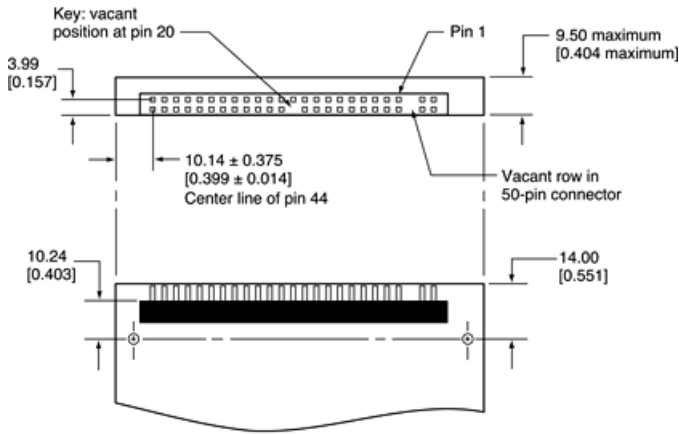
**Figure 3-3** Maximum dimensions of the internal hard disk

Note: Dimensions are in millimeters [inches].

## Hard Disk Connector

The internal hard disk has a 48-pin connector that carries both the ATA signals and the power for the drive. The connector has the dimensions of a 50-pin connector, but with one row of pins removed, as shown in [Figure 3-4](#) (page 33). The remaining pins are in two groups: pins 1–44, which carry the signals and power, and pins 45–48, which are reserved. Pin 20 has been removed, and pin 1 is located nearest the gap, rather than at the end of the connector.



**Figure 3-4** Hard disk connector and location

Note: Dimensions are in millimeters [inches].

## Signal Assignments

Table 3-5 shows the signal assignments on the 44-pin portion of the hard disk connector. A slash (/) at the beginning of a signal name indicates an active-low signal.

**Table 3-5** Pin assignments on the ATA hard disk connector

Pin number	Signal name	Pin number	Signal name
1	/RESET	2	GROUND
3	DD7	4	DD8
5	DD6	6	DD9
7	DD5	8	DD10
9	DD4	10	DD11
11	DD3	12	DD12
13	DD2	14	DD13
15	DD1	16	DD14
17	DD0	18	DD15
19	GROUND	20	KEY
21	DMARQ	22	GROUND
23	/DIOW, /STOP	24	GROUND
25	/DIOR, /HDMARDY, HSTROBE	26	GROUND

Pin number	Signal name	Pin number	Signal name
27	IORDY, /DDMARDY, DSTROBE	28	CSEL
29	/DMACK	30	GROUND
31	INTRQ	32	/IOCS16
33	/DA1	34	/PDIAG, /CBLID
35	/DA0	36	/DA2
37	/CS0	38	/CS1
39	/DASP	40	GROUND
41	+5V LOGIC	42	+5V MOTOR
43	GROUND	44	Reserved

/IOCS16 is not used; see Table 3-6.

## ATA Signal Descriptions

Table 3-6 (page 34) describes the signals on the ATA hard disk connector.

**Table 3-6** Signals on the ATA hard disk connector

Signal name	Signal description
/DA(0–2)	Device address; used by the computer to select one of the registers in the ATA drive. For more information, see the descriptions of the CS0 and CS1 signals.
DD(0–15)	Data bus; buffered from IOD(16–31) of the computer's I/O bus. DD(0–15) are used to transfer 16-bit data to and from the drive buffer. DD(8–15) are used to transfer data to and from the internal registers of the drive, with DD(0–7) driven high when writing.
/CBLID	The host checks this signal after power on or hardware reset to detect whether an 80-conductor cable is present.
/CS0	Register select signal. It is asserted low to select the main task file registers. The task file registers indicate the command, the sector address, and the sector count.
/CS1	Register select signal. It is asserted low to select the additional control and status registers on the ATA drive.
CSEL	Cable select; not available on this computer (n.c.).
/DASP	Device active or slave present; not available on this computer (n.c.).
/DDMARDY	Drive ready to receive Ultra DMA data.
/DIOR	I/O data read strobe.

Signal name	Signal description
/DIOW	I/O data write strobe.
/DMACK	Used by the host to initiate a DMA transfer in response to DMARQ.
DSTROBE	Strobe for Ultra DMA data transfers to host.
/HDMARDY	Ultra DMA data ready.
HSTROBE	Strobe for Ultra DMA data transfers from host.
IORDY	I/O ready; when driven low by the drive, signals the CPU to insert wait states into the I/O read or write cycles.
/IOCS16	I/O channel select; not used on this computer.
DMARQ	Asserted by the device when it is ready to transfer data to or from the host.
INTRQ	Interrupt request. This active high signal is used to inform the computer that a data transfer is requested or that a command has terminated.
/PDIAG	Asserted by device 1 to indicate to device 0 that it has completed the power-on diagnostics; not available on this computer (n.c.).
/RESET	Hardware reset to the drive; an active low signal.
/STOP	Stop request; an active low signal.
Key	This pin is the key for the connector.

The built-in ATA devices are connected to the I/O bus through bidirectional bus buffers.

## DVD-ROM/CD-RW Combo Drive

Some configurations of the PowerBook G4 computer have a slot-loading DVD-ROM/CD-RW Combo drive. The drive can read DVD media and read and write CD media, as shown in Table 3-7. The DVD-ROM/CD-RW drive also provides DVD-Video playback with DVD MPEG2 decode.

**Table 3-7** Types of media read and written by the DVD-ROM/CD-RW drive

Media type	Reading speed	Writing speed
DVD-ROM	8x (CAV)	–
CD-R	24x (CAV)	8x (CLV)
CD-RW	24x (CAV)	8x (CLV)
CD or CD-ROM	24x (CAV)	–

**Important:** The DVD-ROM/CD-RW drive supports only 12 cm disc media. It does not support 8 cm discs or noncircular media.

Digital audio signals from the DVD-ROM/CD-RW Combo drive can be played through the sound outputs under the control of the Sound Manager.

The DVD-ROM/CD-RW Combo drive is an ATAPI drive and is device-selected as master in an ATA device configuration.

## DVD-R /CD-RW SuperDrive

Some configurations of the PowerBook G4 computer have a slot-loading DVD-R/CD-RW SuperDrive drive.

The SuperDrive can read and write DVD media and CD media, as shown in [Figure 3-1](#) (page 25). The DVD-R/CD-RW drive also provides DVD-Video playback. (The G4 microprocessor provides the MPEG-2 decoding.)

**Table 3-8** Media read and written by the SuperDrive

Media type	Reading speed (maximum)	Writing speed
DVD-R	4x (CAV max)	1x (CLV)
DVD-ROM	8x (CAV max, single layer) 6x (CAV max, dual layer)	–
CD-R	24x (CAV max)	8x (CLV)
CD-RW	12x (CAV max)	4x (CLV)
CD or CD-ROM	24x (CAV max)	–

The Apple SuperDrive writes to DVD-R 4.7 gigabyte General Use media. These discs are playable in most standard DVD players and computer DVD-ROM drives. For a list of players tested by Apple for playability, refer to

<http://www.apple.com/dvd/compatibility/>

For compatibility information regarding recordable DVD formats, refer to

<http://dvddemystified.com/dvdfaq.html#4.3>

Digital audio signals from the SuperDrive can be played through the sound outputs under the control of the Sound Manager.

The SuperDrive is an ATAPI drive.

## Trackpad

The pointing device in the PowerBook G4 computer is a trackpad. The trackpad is a solid-state device that emulates a mouse by sensing the motions of the user's finger over its surface and translating those motions into ADB commands.

The user makes selections either by pressing the trackpad button (below the trackpad) or by tapping and double tapping on the pad itself. The trackpad responds to one or two taps on the pad itself as one or two clicks of the button. The user can tap and drag on the trackpad in much the same manner as clicking and dragging with the mouse. The tap and double-tap functions are optional; the user activates or deactivates them by means of the mouse pane in System Preferences in Mac OS X or the Trackpad control panel in Mac OS 9.

## Keyboard

The keyboard is a compact, low-profile design with a row of function keys and inverted-T cursor motion keys.

### Removing the Keyboard

---

The keyboard is removable to allow access to the internal components and expansion connectors inside the computer. The keyboard is held in place by a locking screw and two latches.

To unlock the keyboard, the user turns a slotted screw that is part of the Num Lock LED, which is between the F5 and F6 function keys. Turning the screw 180° locks or unlocks the keyboard.

**Note:** The PowerBook G4 computer leaves the factory with keyboard locking screw in the unlocked position.

The two latches are between the ESC key and the F1 key and between the F11 and F12 keys. The user can release the latches by pulling them toward the front of the computer.

### Changing the Operation of the Keyboard

---

Several of the keys on the keyboard have more than one mode of operation.

- Function keys F1–F7 can also control the display brightness, the speaker volume, the dual display feature, and the Num Lock function; function key F12 is also the media eject key.
- Certain control keys can be used as page-control keys.
- The keys on the right side of the keyboard can be used as a numeric keypad.

The next sections describe these groups of keys and the way their alternate modes of operation are selected by using the Fn key, the Num Lock key, and the Function Keys checkbox in the Keyboard control panel.

## Keyboard Illustrations

---

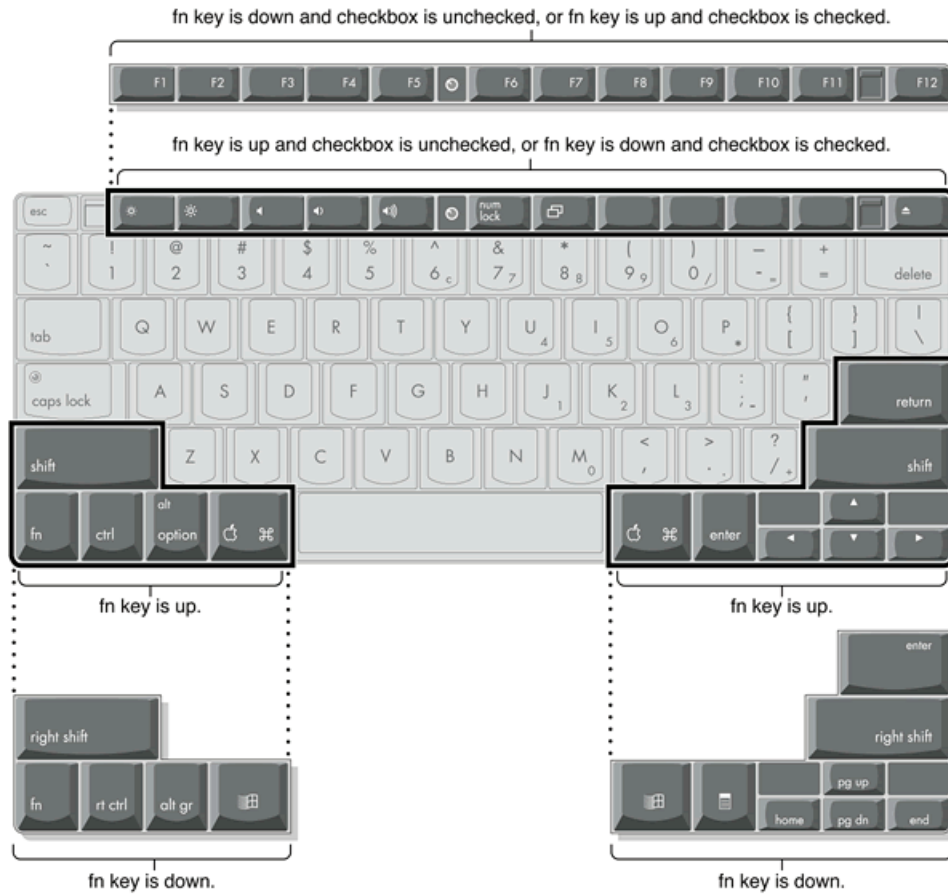
[Figure 3-5](#) (page 38) shows the actual appearance of the keyboard. [Figure 3-6](#) (page 39) shows the alternate modes of operation of the function and control keys. [Figure 3-7](#) (page 40) shows the embedded numeric keypad.

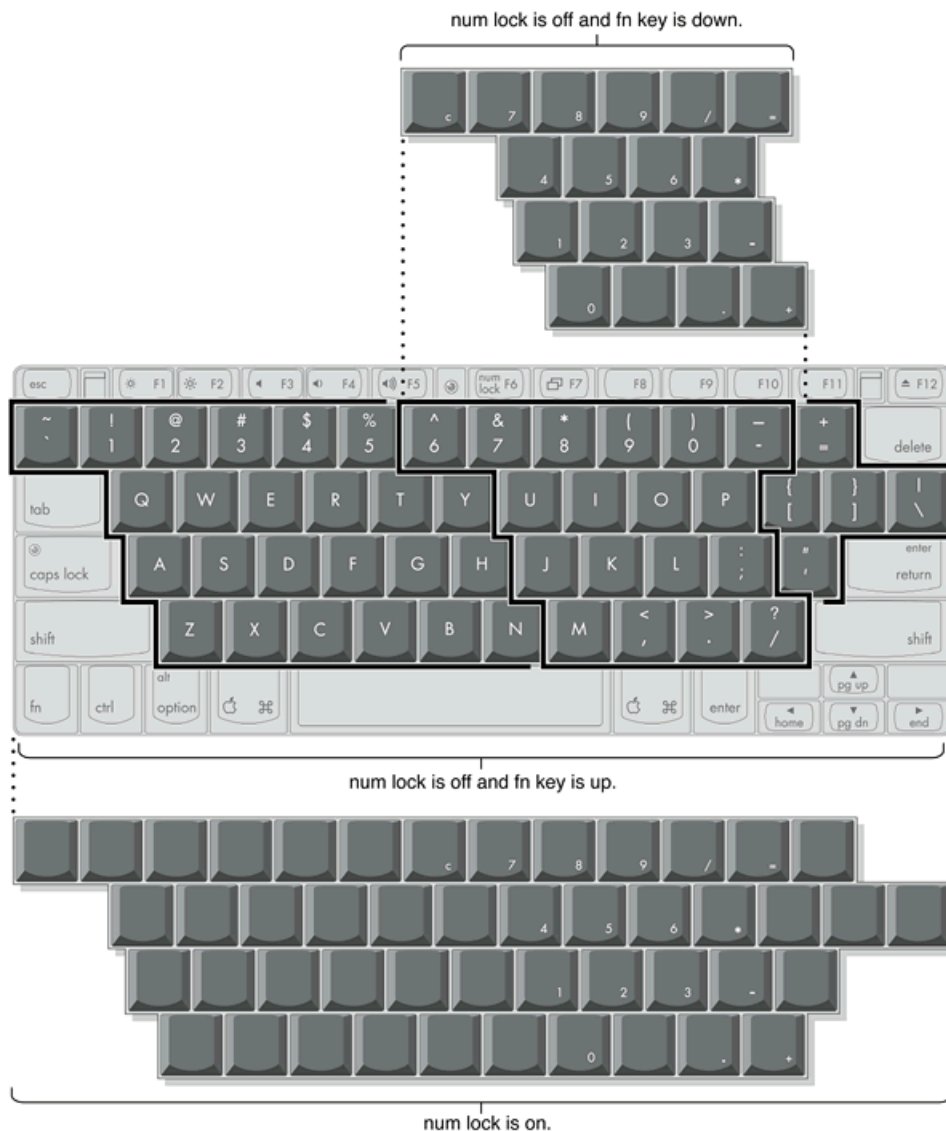
**Figure 3-5** Keyboard layout



[Figure 3-6](#) (page 39) and [Figure 3-7](#) (page 40) include duplicate versions of some keys in order to show their alternate modes of operation. In some cases, the alternate key captions shown in the figures do not appear on the keyboard. For the actual appearance of the keyboard, refer to [Figure 3-5](#) (page 38).

Figure 3-6 Alternate operations of function and control keys



**Figure 3-7** Embedded numeric keypad operation

## Using the Fn Key

Pressing the Fn key affects three sets of keys: the function keys F1–F12, the embedded numeric keypad, and certain modifier keys.

- It toggles the function keys between their control-button operation and their F1–F12 functions, as shown in [Table 3-9](#) (page 41) and [Figure 3-6](#) (page 39). In Mac OS 9, the user selects the default modes of operation of those keys as described in the section “[The Function-Keys Checkbox](#)” (page 41).
- It selects the embedded numeric keypad on the right portion of the alphanumeric keys, as shown in [Table 3-11](#) (page 42) and [Figure 3-7](#) (page 40).
- It changes certain control keys, including the cursor control keys, to page control keys, as shown in [Table 3-12](#) (page 43) and [Figure 3-7](#) (page 40).



**Note:** User-programmable function key assignments are supported in Mac OS 9. In Mac OS X, the user must provide a third-party utility to enable the feature.

## Using the Num Lock Key

---

Pressing the Num Lock key affects two sets of keys: the embedded keypad and the rest of the alphanumeric keys.

- It selects the embedded numeric keypad, as shown in [Table 3-11](#) (page 42) and [Figure 3-7](#) (page 40).
- It makes the rest of the alphanumeric keys functionless (NOPs), as shown in [Figure 3-7](#) (page 40).

## The Function-Keys Checkbox

---

The Function-keys checkbox is supported in Mac OS 9. The Fn key lets the user switch the mode of operation of the function keys at any time. The user selects the default mode of the function keys by means of the Function-keys checkbox in the Keyboard Control Panel.

The Function-keys checkbox lets the user choose whether the function key operations are primary or secondary. “Function keys primary” means the function keys are normally in their F1–F12 mode of operation and pressing the Fn key selects their control-button mode. “Function keys secondary” means the function keys are normally in their control-button mode and pressing the Fn key selects their function-key mode.

**Note:** The F12 key will remain the primary function even when the secondary function is enabled.

In other words, pressing the Fn key reverses the mode of operation of the function keys from the default mode set by the checkbox. [Table 3-9](#) (page 41) summarizes the checkbox settings and the operation of the Fn key. The operations of the individual function keys are shown in [Table 3-9](#) (page 41) and [Figure 3-6](#) (page 39).

**Table 3-9** Setting the default behavior of the function keys

Make function keys primary checkbox	Operations of function keys	
Fn key up	Fn key down	
Checked	F1–F12 functions	Control buttons
Not checked	Control buttons	F1–F12 functions

**Table 3-10** The function keys as control buttons

Key name	Control button
F1	Decrease display brightness
F2	Increase display brightness
F3	Mute the speaker

Key name	Control button
F4	Decrease speaker volume
F5	Increase speaker volume
F6	Num Lock
F7	Switch between dual display and mirroring
F12	Media eject

## The Embedded Keypad

---

A certain group of alphanumeric keys can also function as an embedded keypad. The user selects this mode by using the Fn key or the Num Lock key. [Figure 3-7](#) (page 40) shows the keys making up the embedded keypad and [Table 3-11](#) lists them.

**Table 3-11** Embedded keypad keys

Key name	Keypad function		Key name	Keypad function
6	Clear		P	* (multiply)
7	7		J	1
8	8		K	2
9	9		L	3
0	/ (divide)		;	– (subtract)
-	= (equals)		M	0
U	4		,	NOP
I	5		.	. (decimal)
O	6		/	+ (add)

When the embedded keypad is made active by the Num Lock key, the other alphanumeric keys have no operation (NOP), as shown in [Figure 3-7](#) (page 40). The affected keys include certain special character keys: plus and equal sign, right and left brackets, vertical bar and backslash, and straight apostrophe.

## Other Control Keys

---

The cursor control keys can also be used as page control keys. Other control keys can take on the functions of certain keys on a PC keyboard, for use with PC emulation software. The Fn key controls the modes of operation of this group of keys. [Table 3-12](#) is a list of these keys and their alternate functions. These control keys are also shown in [Figure 3-7](#) (page 40).

**Table 3-12** Control keys that change

Key name	Alternate function
Shift	Right shift key
Control	Right control key
Option	Alt gr (right Alt key)
Command	Windows key
Enter	Menu key (for contextual menus)
Left arrow	Home
Up arrow	Page up
Down arrow	Page down
Right arrow	End

## Flat-Panel Display

The PowerBook G4 computer has a built-in color flat-panel display. It is a wide-screen display (1280 by 854 pixels) and is 15.2 inches across, measured diagonally. The resolution is 101.4 dpi.

The display is backlit by a cold cathode fluorescent lamp (CCFL). The display uses TFT (thin-film transistor) technology for high contrast and fast response.

In addition to its native resolution (1280 by 854) the display also supports several non-native resolutions, as shown in Table 3-13. The graphics controller IC includes a scaling function that expands displays with those smaller resolutions to fill the screen.

The display's native resolution, 1280 by 854, has an aspect ratio of 3:2. When selecting a picture resolution with an aspect ratio of 4:3, the user can choose to have it displayed with square pixels and black margins on the sides, or with stretched pixels that fill the display from side to side. These options are shown in Table 3-13.

**Table 3-13** Picture sizes on the flat-panel display

Picture size	Display area used	Black margins	Shape of pixels
640 by 480	1024 by 768	yes	square
640 by 480	1280 by 854	no	stretched
720 by 480	1280 by 854	no	square
800 by 600	1024 by 768	yes	square
800 by 600	1280 by 854	no	stretched

Picture size	Display area used	Black margins	Shape of pixels
896 by 600	1280 by 854	no	square
1024 by 768	1024 by 768	yes	square
1024 by 768	1280 by 854	no	stretched
1152 by 768	1280 by 854	no	square

## External Monitors

The computer has a Digital Visual Interface (DVI) connector for flat panel displays, an external video monitor, or a projection device. The DVI connector supports all DVI-equipped displays. A DVI-to-VGA adapter for use with analog monitors is included. With a ADC-to-DVI adapter, available separately, the PowerBook G4 computer can be used with any Apple flat panel display.

The computer also has an S-video connector that supplies a video signal for an NTSC or PAL video monitor or VCR. See [“External Video Port”](#) (page 47).

## Dual Display and Mirror Mode

An external monitor or projection device connected to the computer can increase the amount of visible desktop space. This way of using an external monitor is called dual display to distinguish it from mirror mode, which shows the same information on both the external display and the built-in display.

The scaling function is available when the internal display and an external monitor are both operating and the mirror mode is selected. However, the external monitor could have black borders during mirroring, depending on the supported timings between the two displays and on the monitor's selection algorithm. Both displays show full-sized images only when the display resolution for the external monitor is set to the internal display's native resolution: 1280 by 854. Both displays can operate with other resolution settings, but in mirror mode, one of them has a display that is smaller than the full screen and has a black border around it. With the resolution for the external monitor set to 640 by 480 or 800 by 600, the image on the internal display is smaller than its screen. For resolution settings larger than 1280 by 854, the image on the external monitor is smaller than its screen.

## Analog Monitor Resolutions

The PowerBook G4 computer comes with an adapter for use with an analog video monitor. [Table 3-14](#) (page 44) lists the picture sizes and frame rates supported.

**Table 3-14** Picture sizes on an analog monitor

Picture size (pixels)	Frame rate	Pixel depth		Picture size (pixels)	Frame rate	Pixel depth
512 by 384	60 Hz	24 bpp		1024 by 768	72 Hz	24 bpp

Picture size (pixels)	Frame rate	Pixel depth		Picture size (pixels)	Frame rate	Pixel depth
640 by 480	60 Hz	24 bpp		1024 by 768	75 Hz	24 bpp
640 by 480	67 Hz	24 bpp		1024 by 768	85 Hz	24 bpp
640 by 480	72 Hz	24 bpp		1152 by 870	75 Hz	24 bpp
640 by 480	75 Hz	24 bpp		1280 by 960	75 Hz	24 bpp
640 by 480	85 Hz	24 bpp		1280 by 1024	60 Hz	24 bpp
640 by 870	75 Hz	24 bpp		1280 by 1024	75 Hz	24 bpp
800 by 600	56 Hz	24 bpp		1600 by 1200	60 Hz	24 bpp
800 by 600	60 Hz	24 bpp		1600 by 1200	65 Hz	24 bpp
800 by 600	72 Hz	24 bpp		1600 by 1200	70 Hz	24 bpp
800 by 600	75 Hz	24 bpp		1600 by 1200	75 Hz	24 bpp
800 by 600	85 Hz	24 bpp		1792 by 1344	60 Hz	24 bpp
832 by 624	75 Hz	24 bpp		1856 by 1392	60 Hz	24 bpp
1024 by 768	60 Hz	24 bpp		1920 by 1440	75 Hz	24 bpp
1024 by 768	70 Hz	24 bpp		2048 by 1536	75 Hz	24 bpp

When the flat-panel display and an external video monitor are operating at the same time, the system allocates 16 MB of video memory for each, enough to support the full 24-bit pixel depth at resolutions up to 2048 by 1536 pixels.

## Digital Display Resolutions

[Table 3-15](#) (page 45) shows the resolutions supported on flat-panel (digital) displays. The 32 MB of video RAM on the accelerated graphics card supports pixel depths up to 32 bits per pixel at all resolutions.

**Table 3-15** Picture sizes on a digital display

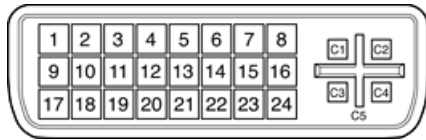
640 by 480	1024 by 768
800 by 500	1280 by 800
800 by 512	1280 by 1024
800 by 600	1344 by 840
960 by 600	1600 by 1024
1024 by 600	1600 by 1200

1024 by 640	1920 by 1200
-------------	--------------

## DVI-I Connector

The external monitor connector is a DVI-I connector. It carries both digital and analog video signals. [Figure 3-8](#) (page 46) shows the contact configuration; [Table 3-16](#) (page 46) and [Table 3-17](#) (page 46) list the signals and pin assignments.

**Figure 3-8** DVI-I connector



**Table 3-16** Main signals on the DVI-I connector

Pin	Signal name	Pin	Signal name
1	TMDS Data2-	13	TMDS Data3+
2	TMDS Data2+	14	+5V Power
3	TMDS Data2/4 Shield	15	Ground for +5V Power
4	TMDS Data4-	16	Hot Plug Detect
5	TMDS Data4+	17	TMDS Data0-
6	DDC Clock	18	TMDS Data0+
7	DDC Data	19	TMDS Data0/5 Shield
8	Analog Vertical Sync	20	TMDS Data5-
9	TMDS Data1-	21	TMDS Data5+
10	TMDS Data1+	22	TMDS Clock Shield
11	TMDS Data1/3 Shield	23	TMDS Clock+
12	TMDS Data3-	24	TMDS Clock-

**Table 3-17** MicroCross signals on the DVI-I connector

Pin	Signal name
C1	Analog Red Video
C2	Analog Green Video

Pin	Signal name
C3	Analog Blue Video
C4	Analog Horizontal Sync
C5	Analog Common Ground Return

The graphics data sent to the digital monitor use transition minimized differential signaling (TMDS). TMDS uses an encoding algorithm to convert bytes of graphics data into characters that are transition-minimized to reduce EMI with copper cables, and DC-balanced for transmission over fiber optic cables. The TMDS algorithm also provides robust clock recovery for greater skew tolerance with longer cables or low-cost short cables. For additional information about TMDS, see the references shown in “[Digital Visual Interface](#)” (page 61).

## External Video Port

The PowerBook G4 computer has a video port that provides S-video output to a PAL or NTSC video monitor or VCR. The video output connector is a 7-pin S-video connector. [Figure 3-9](#) (page 47) shows the arrangement of the pins and [Table 3-18](#) shows the pin assignments on the S-video connector.

**Figure 3-9** S-video connector



**Table 3-18** Pin assignments for the S-video output connector

Pin number	S-video output connector
1	Analog GND
2	Analog GND
3	Video Y (luminance)
4	Video C (chroma)
5	composite video
6	Unused
7	Unused

An adapter (included) can be plugged into the S-video connector and accepts an RCA plug for connecting a composite video monitor.

The PowerBook G4 computer provides video output at picture sizes and frame rates compatible with the NTSC and PAL standards; the picture sizes are listed in Table 3-19. Those picture sizes produce underscanned displays on standard monitors.

**Table 3-19** Picture sizes for S-video output

Picture size	Pixel depth
512 by 384	24 bpp
640 by 480	24 bpp
720 by 480 (NTSC only)	24 bpp
720 by 576 (PAL only)	24 bpp
800 by 600	24 bpp
832 by 624	24 bpp
1024 by 768	24 bpp

## Sound System

The sound system for the PowerBook G4 computer supports stereo sound output and input, available simultaneously. The sound circuitry handles audio data as 16-bit samples at a 44.1 kHz sample rate.

The sound circuitry and system software can create sounds digitally and either play the sounds through the built-in speakers or send the sound signals out through the sound output jack or one of the USB ports.

The PowerBook G4 computer can record sound data from the built-in microphone, an audio CD, the audio input jack, or a USB audio device. For each sound input source, sound play-through can be enabled or disabled. Sound data from digital sources is converted to analog form for output to the speakers and the sound output jack.

### Sound Inputs

---

The sound system accepts inputs from the following sources:

- the built-in microphone
- the audio input jack
- a CD or DVD in the DVD-ROM/CD-RW Combo drive
- a CD or DVD in the DVD-R/CD-RW SuperDrive
- a digital audio device connected to a USB or FireWire port
- sound signals from the communication (modem) slot



The microphone preamp has a dedicated analog input channel in the Snapper circuitry; the other inputs send digital data. The analog input can be set for play-through or recording. The digital inputs can be selected or mixed by the Snapper sound circuitry.

The computer also accepts digital sound data from the DVD-ROM/CD-RW Combo drive, DVD-R /CD-RW SuperDrive, or from devices connected to the USB or FireWire ports. Sound data from those sources can be sent to the sound system to be converted to analog form for output to the speakers and the output jack.

## Built-in Microphone

---

The built-in microphone is located at the bottom of the left speaker grille.

The sound signal from the built-in microphone goes through a dedicated preamplifier that raises its nominal 30 mV level to a nominal 150 mV (peak-to-peak) signal to the sound circuitry. That signal level assures good quality digitizing without driving the analog input into clipping.

## Audio Input Jack

---

The audio input jack is a 3.5 mm mini phone jack located on the I/O panel on the back of the computer. The audio input jack accepts line-level stereo signals. It also accepts a stereo miniplug-to-RCA cable adapter for connecting stereo equipment to the computer.

The sound input jack signal connections are

- tip: audio left channel
- ring: audio right channel
- sleeve: audio ground

## Modem Activity Sound Signals

---

Modem activity sound signals from the communications slot are sent to the Snapper sound circuitry as 8-bit digital data.

## Sound Outputs

---

The sound system sends sound output signals to the built-in speakers and the external sound output jack.

## Headphone Jack

---

The headphone jack is located on the left side of the computer. The headphone jack provides enough current to drive a pair of low-impedance headphones. It can also be used as a line-level output.

The headphone jack has the following electrical characteristics:

- impedance suitable for driving standard 32-ohm headphones
- output level 2.0 V peak-to-peak (0.7 V RMS)
- signal-to-noise (SNR) 90 dB unweighted (typical)

- total harmonic distortion (THD) 0.03% or less

## Internal Speakers

---

The computer has two internal speakers, one on either side of the keyboard. The computer turns off the sound signals to the speakers when an external device is actively connected to the sound output jack and during power cycling.

## Digitizing Sound

---

The sound circuitry digitizes and records sound as 44.1 kHz 16-bit samples. If a sound sampled at a lower rate on another computer is played as output, the Sound Manager transparently upsamples the sound to 44.1 kHz prior to outputting the audio to the sound circuitry.

When recording sound from a microphone, applications that may be affected by feedback should disable sound play-through by calling the Sound Manager functions.

# Expansion Features

---

This chapter describes the expansion features of the PowerBook G4 computer: the RAM expansion slots and the CardBus slot.

## RAM Expansion Slots

The computer has two RAM expansion slots that accommodate standard SO (small outline) DIMMs using SDRAM devices. One or both slots may be occupied by factory-installed SO-DIMMs. The slots are accessible for user installation of an additional or larger SO-DIMM.

RAM expansion SO-DIMMs must be PC133 compliant.

The SO-DIMMs must use SDRAM devices. If the user installs an SO-DIMM that uses EDO devices, the boot process will fail when the user attempts to restart the computer and the computer will not operate.

The address logic for the RAM slots supports up to 1 GB total RAM. Using the highest-density devices currently available, an SO-DIMM can contain up to 512 MB of RAM, so the two RAM expansion slots can accommodate up to 1 GB total RAM.

## Getting Access to the Slots

---

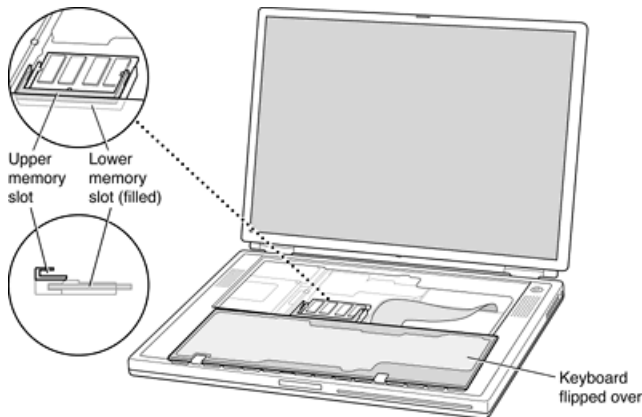
The RAM expansion slots are stacked in a dual socket on the main logic board. The user can get access to the slots by removing the keyboard, as shown in [Figure 4-1](#) (page 52).

The keyboard is held in place by a locking screw and two latches.

The keyboard locking screw is a slotted screw that is part of the Num Lock LED, which is located between the F5 and F6 function keys. The locking screw can be turned through 360; turning it 180 switches between the locked and unlocked positions. The computer is shipped with the locking screw in the unlocked position.

The two latches are between the ESC key and the F1 key and between the F11 and F12 keys. You release the latches by pulling them toward the front of the computer.

Pulling on the latches only (not on the keys), and without disconnecting the keyboard's membrane cable, you can lift the keyboard up and turn it face down onto the front part of the case.

**Figure 4-1** Interior view showing RAM expansion slots

**Important:** Use care when inserting or removing a DIMM. Pay particular attention to the retaining tabs on either side of the slot. Make sure to release the tabs before removing a DIMM. When installing a DIMM, hold the RAM expansion card at a 30-degree angle. Line up the notch in the card with the small tab in the RAM expansion slot and slide the card into the slot until the gold edge is almost invisible, then gently push the RAM expansion card into the expansion slot. Make sure the tabs are engaged before closing up the computer.

## Mechanical Design of RAM SO-DIMMs

The RAM expansion modules used in the PowerBook G4 computer are standard 144-pin 8-byte DRAM SO-DIMMs, as defined in the JEDEC specifications.

The mechanical characteristics of the RAM expansion SO-DIMM are given in the JEDEC specification for the 144-pin 8-byte DRAM SO-DIMM. The specification number is JEDEC MO-190-C. To obtain a copy of the specification, see the references listed at [“RAM Expansion Modules”](#) (page 59).

The specification defines SO-DIMMs with nominal heights of 1.0, 1.25, 1.5, and 2.0 inches. The PowerBook G4 computer can accommodate SO-DIMMs with heights of 1.25 inches or less.

**Important:** The PowerBook G4 computer can not accept a 1.5 or 2-inch SO-DIMM.

The JEDEC specification defines the maximum depth or thickness of an SO-DIMM as 3.8 mm. Modules that exceed the specified thickness can cause reliability problems.

## Electrical Design of RAM SO-DIMMs

SO-DIMMs for the PowerBook G4 computer are required to be PC133 compliant. For information about the PC133 specifications, see the references at [“RAM Expansion Modules”](#) (page 59).

The electrical characteristics of the RAM SO-DIMM are given in section 4.5.6 of the JEDEC Standard 21-C, release 7. To obtain a copy of the specification, see the references listed at [“RAM Expansion Modules”](#) (page 59).

The JEDEC and Intel specifications define several attributes of the DIMM, including storage capacity and configuration, connector pin assignments, and electrical loading. The specifications support SO-DIMMs with either one or two banks of memory.

**Important:** The memory controller on the PowerBook G4 computer uses a separate CKE signals for each bank, as called out in the JEDEC specification. SO-DIMMs that have all the CKE pins connected together do not operate properly.

The JEDEC specification for the SO-DIMM defines a Serial Presence Detect (SPD) feature that contains the attributes of the module. SO-DIMMs for use in PowerBook computers are required to have the SPD feature. Information about the required values to be stored in the presence detect EEPROM is in section 4.1.2.5 and Figure 4.5.6–C (144 Pin SDRAM SO–DIMM, PD INFORMATION) of the JEDEC standard 21-C specification, release 7.

**Important:** For a DIMM to be recognized by the startup software, the SPD feature must be programmed properly to indicate the timing modes supported by the DIMM.

Capacitance of the data lines must be kept to a minimum. Individual DRAM devices should have a pin capacitance of not more than 5 pF on each data pin.

## SDRAM Devices

---

The SDRAM devices used in the RAM expansion modules must be self-refresh type devices for operation from a 3.3-V power supply. The speed of the SDRAM devices must be 133 MHz or higher.

The devices are programmed to operate with a CAS latency of 3. At that CAS latency, the access time from the clock transition must be 5.4 ns or less. The burst length must be at least 4 and the minimum clock delay for back-to-back random column access cycles must be a latency of 1 clock cycle.

When the computer is in sleep mode, the RAM modules are in self-refresh mode and the maximum power-supply current available for each RAM module is 8 mA (see the section “[RAM SO-DIMM Electrical Limits](#)” (page 54)). Developers should specify SDRAM devices with low power specifications so as to stay within that limit.

## Configuration of RAM SO-DIMMs

---

Table 4-1 shows information about the different sizes of SDRAM devices used in the memory modules. The first two columns show the memory size and configuration of the SO-DIMMs. The next two columns show the number and configuration of the SDRAM devices making up the memory modules.

**Table 4-1** Sizes of RAM expansion modules and devices

SO-DIMM size	SO-DIMM configuration (MB x bits)	Number of devices	Device configuration (MB x bits)	Number of banks
128 MB	16 x 64	8	16 x 8	1
128 MB	16 x 64	8	8 x 16	2
256 MB	32 x 64	16	16 x 8	2

SO-DIMM size	SO-DIMM configuration (MB x bits)	Number of devices	Device configuration (MB x bits)	Number of banks
256 MB	32 x 64	8	32 x 8	1
256 MB	32 x 64	8	16 x 16	2
512 MB	64 x 64	16	32 x 8	2

**Note:** The PowerBook G4 computer does not use memory interleaving, so installing two SO-DIMMs of the same size does not result in any performance gain.

### Address Multiplexing

Signals A[0] – A[12] and BA[0] – BA[1] on each RAM SO-DIMM make up a 15-bit multiplexed address bus that can support several different types of SDRAM devices. Table 4-2 lists the types of devices that can be used in the PowerBook G4 computer by size, configuration, and sizes of row, column, and bank addresses.

**Important:** The PowerBook G4 computer supports only the types of SDRAM devices specified in Table 4-2. Other types of devices should not be used with this computer.

**Table 4-2** Types of DRAM devices

Device size	Device configuration (bytes x bits banks)	Row address bits	Column address bits
64 Mbits	2 M x 8 x 4	12	9
64 Mbits	1 M x 16 x 4	12	8
64 Mbits	512 K x 32 x 4	11	8
128 Mbits	4 M x 8 x 4	12	10
128 Mbits	2 M x 16 x 4	12	9
128 Mbits	1 M x 32 x 4	12	8
256 Mbits	8 M x 8 x 4	13	10
256 Mbits	4 M x 16 x 4	13	9

### RAM SO-DIMM Electrical Limits

Each RAM SO-DIMM must not exceed the following maximum current limits on the +3.3 V supply:

Active: 1.2 A (8 devices at 150 mA each)

Sleep: 12 mA

**Important:** The restriction on sleep current is required not only to maximize the battery life but to meet the limitations of the backup battery during sleep swapping of the main battery. Developers of RAM expansion modules that exceed the limit on sleep current must include a warning to the user that battery sleep swapping may not work with those modules installed.

The maximum current specified for active operation generally rules out the use of 4-bit-wide SDRAM devices in a RAM expansion module. Such a module would have 16 such devices, and the 1.2 A maximum current would allow only about 75 mA per device. To stay within the current limits, RAM expansion modules should use only 8-bit or 16-bit SDRAM devices.

## CardBus Slot

The CardBus slot accepts one Type I or Type II card. The slot supports both 16-bit PC Cards and 32-bit CardBus Cards. The card can be removed and replaced while the computer is operating.

**Note:** The CardBus slot does not provide 12 V power.

For information about the CardBus and the PC Card Manager, refer to the CardBus DDK and the PC Card Manager SDK. To obtain the DDK and the SDK, see the reference at [“PC Card Manager”](#) (page 60).

**Important:** The AirPort Card does not work in the CardBus slot.





# Supplemental Reference Documents

---

For more information about the technologies mentioned in this developer note, you may wish to consult some of the following references.

For information about older models of Macintosh computers, refer to the developer notes archive at

<http://developer.apple.com/documentation/HardwareDrivers/index.html>

## Apple Technical Notes

Apple Technical Notes answer many specific questions about the operation of Macintosh computers and the Mac OS. The notes are available on the Technical Note website at

<http://developer.apple.com/technotes/>

## 3D Graphics

Developers of 3D graphics for games should know about OpenGL for Macintosh<sup>®</sup>, a new version of SGI's application programming interface (API) and software library for 3D graphics.

Information is available on the World Wide Web at

<http://www.apple.com/opengl>

Developer support and documentation is available at

<http://developer.apple.com/opengl/>

## PowerPC G4 Microprocessor

Information about the PowerPC G4 microprocessor is available on the World Wide Web at

<http://e-www.motorola.com/webapp/sps/site/taxonomy.jsp?nodeId=03M943030450467M98653>

## Velocity Engine (AltiVec)

Velocity Engine is Apple's name for the AltiVec vector processor in the PowerPC G4 microprocessor. Apple provides support for developers who are starting to use the Velocity Engine in their applications. Documentation, development tools, and sample code are available on the World Wide Web, at

<http://developer.apple.com/hardware/drivers/ve/index.html>

and

[http://developer.apple.com/documentation/Performance/Conceptual/vDSP/vDSP\\_Library.pdf](http://developer.apple.com/documentation/Performance/Conceptual/vDSP/vDSP_Library.pdf)

*AltiVec Technology Programming Environments Manual* (AltiVec PEM) is a reference guide for programmers. It contains a description for each instruction and information to help in understanding how the instruction works. You can obtain a copy of the AltiVec PEM through the Motorola AltiVec site on the World Wide Web, at

<http://www.freescale.com/webapp/sps/site/overview.jsp?nodeId=02VS0I81285Nf2>

## Mac OS X

Mac OS X version 10.2 is installed by default on the PowerBook G4 computer. For access to Apple's developer documentation for Mac OS X, see the Apple Developer Connection (ADC) website at

<http://developer.apple.com/documentation/index.html>

O'Reilly & Associates publishes a series of books about Mac OS X development. The books in this series have been technically reviewed by Apple engineers and are recommended by the Apple Developer Connection.

## Mac OS 9.2.2

Mac OS 9.2.2 is also included with the PowerBook G4 computer. Programming information about Mac OS 9 is available on the World Wide Web at

<http://developer.apple.com/documentation/Carbon/Carbon.html>

You can find additional information in Apple Technical Notes at

<http://developer.apple.com/technotes/>

## I/O Kit

The I/O Kit is part of Darwin, the operating system foundation for Mac OS X. The documentation for I/O Kit is available on Apple's Darwin website at

<http://developer.apple.com/documentation/Darwin/Darwin.html>

## Open Firmware

The software architecture implemented on current Macintosh computers follows the standard defined by the Open Firmware IEEE 1274-1994 specification. Three Technical Notes provide an introduction to Open Firmware on the Macintosh platform. They are:

TN1061: Open Firmware, Part I, available at

<http://developer.apple.com/technotes/tn/tn1061.html>

TN1062: Open Firmware, Part II, available at

<http://developer.apple.com/technotes/tn/tn1062.html>

TN1044: Open Firmware, Part III, available at

<http://developer.apple.com/technotes/tn/tn1044.html>

Other Technical Notes provide additional information about Open Firmware on the Macintosh.

TN2000: PCI Expansion ROMs and You, at

<http://developer.apple.com/technotes/tn/tn2000.html>

TN2001: Running Files from a Hard Drive in Open Firmware, at

<http://developer.apple.com/technotes/tn/tn2001.html>

TN2004: Debugging Open Firmware Using Telnet, available at

<http://developer.apple.com/technotes/tn/tn2004.html>

## RAM Expansion Modules

The mechanical characteristics of the RAM SO-DIMM are given in JEDEC specification number JEDEC MO190-C. The specification can be found by using the search string MO190-C on the Electronics Industry Association's website at

<http://www.jedec.org/DOWNLOAD/default.cfm>

The electrical characteristics of the RAM SO-DIMM are given in JEDEC Standard 21-C. The specification can be found by using the search string JESD21-C on the Electronics Industry Association's website at

<http://www.jedec.org/DOWNLOAD/default.cfm>

The RAM DIMMs are required to be PC133 or PC100 compliant. Information about the PC133 and PC100 specifications is available from Intel's website at

<http://developer.intel.com/technology/memory/>

## PC Card Manager

For information about the CardBus and the PC Card Manager, refer to the CardBus DDK and the PC Card Manager SDK. The DDK and SDK are available on the Apple Developer World web page at

<http://developer.apple.com/sdk/index.html>

## ATA Devices

ATA (AT Attachment), also referred to as integrated drive electronics (IDE), is a standard interface used with storage devices such as hard disk drives. For more information on ATA, refer to the following Apple website at

<http://developer.apple.com/documentation/Hardware/DeviceManagers/ata/ata.html>

ATA Manager 4.0 supports driver software for internal IDE drives and includes DMA support. For the latest information about ATA Manager 4.0, see Technical Note TN1098, ATA Device Software Guide Additions and Corrections, available on the world wide web at

<http://developer.apple.com/technotes/tn/tn1098.html>

The web page for Technical Note TN1098 includes a link to a downloadable copy of ATA Device Software Guide.

Information about the ATA standards is available at the Technical Committee T13 AT Attachment website, at

<http://www.t13.org/>

## USB Interface

For more information about USB on Macintosh computers, refer to Apple Computer's *Mac OS USB DDK API Reference*. Information is also available on the World Wide Web, at

<http://developer.apple.com/documentation/Hardware/DeviceManagers/usb/usb.html>

USB game controllers are supported by the InputSprocket component of the Apple Games Sprockets software architecture. InputSprocket software and information about the InputSprocket API can be found at

<http://developer.apple.com/games/>

For full specifications of the Universal Serial Bus, you should refer to the USB Implementation Forum on the World Wide Web, at

<http://www.usb.org/developers/>

## FireWire Interface

For additional information about the FireWire IEEE 1394 interface and the Apple API for FireWire software, refer to the resources available on the Apple FireWire website at

<http://developer.apple.com/hardwaredrivers/firewire/>

The IEEE 1394 standard is available from the IEEE. Ordering information can be found on the World Wide Web at

[http://standards.ieee.org/reading/ieee/std\\_public/description/busarch/1394-1995\\_desc.html](http://standards.ieee.org/reading/ieee/std_public/description/busarch/1394-1995_desc.html)

You may also find useful information at the 1394 Trade Association's website:

<http://www.1394ta.org/>

## Digital Visual Interface

For information about transition minimized differential signaling (TMDS) used with digital video monitors, see the specification, Digital Visual Interface DVI Revision 1.0, available on the website of the Digital Display Working Group (DDWG) at

<http://www.ddwg.org/>

## Wireless Networks

More information about Wi-Fi and wireless networks using the IEEE 802.11 standard is available on the website of the Wireless Ethernet Compatibility Alliance, at

<http://www.wirelessethernet.org/OpenSection/>



# Abbreviations

---

Here a lists of abbreviations used in this developer note.

## Abbreviations and Standard Units

Standard units of measure used in this note include:

A	amperes	MB	megabytes
dB	decibels	Mbps	megabits per second
GB	gigabytes	Mbits	megabits
Hz	hertz	MHz	megahertz
KB	kilobytes	mm	millimeters
kg	kilograms	ns	nanoseconds
kHz	kilohertz	V	volts
mA	milliamperes	VDC	volts direct current
mAh	milliampere-hours		

## Other Abbreviations

Other abbreviations used in this note include:

10Base-T	an Ethernet standard for data transmission at rates up to 10 Mbits per second
100Base-T	an Ethernet standard for data transmission at rates up to 100 Mbits per second
1000Base-T	an Ethernet standard for data transmission at rates up to 1000 Mbits per second
AGP	accelerated graphics port
AIM	ATA Interface Module
ANSI	American National Standards Institute
API	application programming interface

ASIC	application-specific integrated circuit
ATA	AT attachment
CAS	column address strobe, a memory control signal
CD	compact disc
CD-ROM	compact disc read-only memory
CPU	central processing unit
CRT	cathode ray tube, a video display device
DAA	data access adapter (a telephone line interface)
DAC	digital-to-analog converter
DDC	display data channel
DIMM	Dual Inline Memory Module
DB-DMA	descriptor-based direct memory access
DDK	device developer's kit
DDR	double data rate, a type of SDRAM
DMA	direct memory access
DVI	Digital Visual Interface
EDO	extended data out
EIDE	enhanced integrated device electronics
G4	Generation 4, the fourth generation of PowerPC microprocessors, incorporating AltiVec technology
GND	ground
HFS	hierarchical file system
HID	human interface device, a class of USB devices
IC	integrated circuit
IDE	integrated device electronics
IEC	International Electrotechnical Commission
IIC	inter-IC control bus
IIS	inter-IC sound bus
I/O	input and output



## Abbreviations

ISO	International Organization for Standardization
JEDEC	Joint Electron Device Engineering Council
L1	level 1 or first level, a type of CPU cache
L2	level 2 or second level, a type of CPU cache
L3	level 3 or third level, a type of CPU cache
LED	light emitting diode
Mac OS	Macintosh Operating System
MDI	Medium Dependent Interface
MDI-X	Medium Dependent Interface with Cross-Over
modem	modulator-demodulator, a data communications interface for use with analog telephone lines
NMI	nonmaskable interrupt
NOP	no operation
NVRAM	nonvolatile random-access memory
OHCI	Open Host Controller Interface
OS	operating system
PCI	Peripheral Component Interconnect, an industry-standard expansion bus
PLL	phase-locked loop
RAM	random-access memory
RCA	Radio Corporation of America
rms	root mean square
ROM	read-only memory
SBP	Serial Bus Protocol
SCSI	Small Computer System Interface
SDK	software developer's kit
SDRAM	synchronous dynamic RAM
SNR	signal to noise ratio
SO-DIMM	Small Outline Dual Inline Memory Module
SPD	Serial Presence Detect, a feature of the SO-DIMM

## APPENDIX B

### Abbreviations

TMDS	transition minimized differential signaling
USB	Universal Serial Bus, an industry-standard expansion bus
VCC	positive supply voltage (voltage for collectors)