

---

# iBook Developer Note

[Hardware & Drivers](#) > [Apple Hardware](#)



2004-10-19



Apple Inc.  
© 2003, 2004 Apple Computer, Inc.  
All rights reserved.

No part of this publication may be reproduced, stored in a retrieval system, or transmitted, in any form or by any means, mechanical, electronic, photocopying, recording, or otherwise, without prior written permission of Apple Inc., with the following exceptions: Any person is hereby authorized to store documentation on a single computer for personal use only and to print copies of documentation for personal use provided that the documentation contains Apple's copyright notice.

The Apple logo is a trademark of Apple Inc.

Use of the "keyboard" Apple logo (Option-Shift-K) for commercial purposes without the prior written consent of Apple may constitute trademark infringement and unfair competition in violation of federal and state laws.

No licenses, express or implied, are granted with respect to any of the technology described in this document. Apple retains all intellectual property rights associated with the technology described in this document. This document is intended to assist application developers to develop applications only for Apple-labeled computers.

Every effort has been made to ensure that the information in this document is accurate. Apple is not responsible for typographical errors.

Apple Inc.  
1 Infinite Loop  
Cupertino, CA 95014  
408-996-1010

.Mac is a registered service mark of Apple Inc.

Apple, the Apple logo, AirPort, AirPort Extreme, eMac, FireWire, iBook, iChat, iPod, iSight, Mac, Mac OS, Macintosh, PowerBook, QuickTime, SuperDrive, and Velocity Engine are trademarks of Apple Inc., registered in the United States and other countries.

Finder is a trademark of Apple Inc.

DEC is a trademark of Digital Equipment Corporation.

OpenGL is a registered trademark of Silicon Graphics, Inc.

PowerPC and the PowerPC logo are trademarks of International Business Machines Corporation, used under license therefrom.

Simultaneously published in the United States and Canada.

**Even though Apple has reviewed this document, APPLE MAKES NO WARRANTY OR REPRESENTATION, EITHER EXPRESS OR IMPLIED, WITH RESPECT TO THIS DOCUMENT, ITS QUALITY, ACCURACY, MERCHANTABILITY, OR FITNESS FOR A PARTICULAR PURPOSE. AS A RESULT, THIS DOCUMENT IS PROVIDED "AS IS," AND YOU, THE READER, ARE ASSUMING THE ENTIRE RISK AS TO ITS QUALITY AND ACCURACY.**

**IN NO EVENT WILL APPLE BE LIABLE FOR DIRECT, INDIRECT, SPECIAL, INCIDENTAL, OR CONSEQUENTIAL DAMAGES RESULTING FROM ANY DEFECT OR INACCURACY IN THIS DOCUMENT, even if advised of the possibility of such damages.**

**THE WARRANTY AND REMEDIES SET FORTH ABOVE ARE EXCLUSIVE AND IN LIEU OF ALL OTHERS, ORAL OR WRITTEN, EXPRESS OR IMPLIED. No Apple dealer, agent, or employee is authorized to make any modification, extension, or addition to this warranty.**

**Some states do not allow the exclusion or limitation of implied warranties or liability for incidental or consequential damages, so the above limitation or exclusion may not apply to you. This warranty gives you specific legal rights, and you may also have other rights which vary from state to state.**

# Contents

**Introduction**      **Introduction to iBook Developer Note** 9

---

Organization of This Document 9

**Chapter 1**      **Overview of the iBook** 11

---

New Features 11  
All Features 11  
Appearance 13  
Peripheral Devices 14  
System Software 15  
    Machine Identification 15  
    Power Management 15  
    Target Disk Mode 16

**Chapter 2**      **Architecture** 19

---

Block Diagram and Buses 19  
    Block Diagram 19  
    Main ICs and Buses 20  
Microprocessor and Cache 21  
    PowerPC G4 Microprocessor 21  
    L2 Cache 21  
Intrepid Memory and I/O Device Controller 21  
    System RAM 22  
    Boot ROM 22  
    Ethernet Controller 22  
    FireWire 400 Controller 23  
    Graphics IC 23  
    DMA Support 23  
    Interrupt Support 23  
    ATA-100 Interface 24  
    EIDE Interface 24  
    USB 1.1 Controllers 24  
    Modem Support 24  
    Sound Circuitry 24  
    Power Control IC 25  
AirPort Extreme Interface 25  
PCI USB 2.0 Controller 25

**Chapter 3      Devices and Ports    27**

---

- USB Ports    27
  - USB Connector    27
  - USB Device Programming    28
- FireWire 400 Port    28
  - FireWire 400 Connector    29
  - FireWire 400 Device Programming    30
- Ethernet Port    30
- Internal Modem    31
- AirPort Extreme    31
  - Data Security    32
  - AirPort Extreme Hardware    32
  - AirPort Extreme Software    32
- Bluetooth Technology    33
- Hard Disk Drive    33
  - Hard Disk Dimensions    34
  - Hard Disk Connector    34
- CD-ROM Drive    37
- Combo Drive    38
- SuperDrive    38
- Trackpad    39
- Keyboard    39
  - Removing the Keyboard    39
  - Keyboard Illustrations    41
  - Keyboard Operations    43
- Flat Panel Display    46
- External Display Port    47
  - Video Display Connector    47
  - Older Monitors Not Supported    48
- Sound System    49
  - Audio Headphone Port    49
  - Internal Microphone    49
  - Internal Speakers    49
  - Internal Modem    50
  - CD Audio    50

**Chapter 4      RAM Expansion    51**

---

- The RAM Expansion Slot    51
- The RAM Expansion Module    53
  - Mechanical Design of the RAM SO-DIMM    53
  - Electrical Design of the RAM SO-DIMM    53
  - DDR RAM SO-DIMM Electrical Limits    55

**Appendix A**      **Supplemental Reference Documents 57**

---

- Apple Technical Notes 57
- 3D Graphics 57
- PowerPC G4 Microprocessor 57
- Mac OS X 58
- I/O Kit 58
- Open Firmware 58
- RAM Expansion Modules 59
- ATA Devices 59
- USB Interface 59
- FireWire 400 Interface 60
- Wireless Networks 60
- Bluetooth 60

**Appendix B**      **Conventions and Abbreviations 61**

---

- Typographical Conventions 61
- Abbreviations 61

**Index 65**

---



# Figures and Tables

## Chapter 1 **Overview of the iBook 11**

---

- Figure 1-1 Front view of the computer 13
- Figure 1-2 Side view showing I/O ports 14

## Chapter 2 **Architecture 19**

---

- Figure 2-1 Block diagram 20
- Table 2-1 Buses supported by the Intrepid IC 21

## Chapter 3 **Devices and Ports 27**

---

- Figure 3-1 USB Type A connector 27
- Figure 3-2 FireWire 400 connector 29
- Figure 3-3 Maximum dimensions of the internal hard disk 34
- Figure 3-4 Hard disk connector and location 35
- Figure 3-5 Unlocking the keyboard 40
- Figure 3-6 Replacing the keyboard 41
- Figure 3-7 Keyboard layout 41
- Figure 3-8 Alternate operations of function and control keys 42
- Figure 3-9 Embedded numeric keypad operation 43
- Figure 3-10 Video display connector 47
- Table 3-1 Pin assignments on the USB port 27
- Table 3-2 Pin assignments on the FireWire 400 connector 29
- Table 3-3 Signals on the Ethernet connector 30
- Table 3-4 Pin assignments on the ATA hard disk connector 35
- Table 3-5 Signals on the ATA hard disk connector 36
- Table 3-6 Types of media read and written by the Combo drive 38
- Table 3-7 Media read and written by the SuperDrive 38
- Table 3-8 Embedded keypad keys 44
- Table 3-9 The function keys as control buttons 45
- Table 3-10 Control keys that change 46
- Table 3-11 Display adapters 47
- Table 3-12 Video signals for a VGA display 48
- Table 3-13 Video signals for a TV display 48

## Chapter 4 **RAM Expansion 51**

---

- Figure 4-1 The AirPort Extreme Card and antenna cable 52
- Figure 4-2 The RAM shield plate 52
- Table 4-1 Sizes of RAM expansion modules and devices 54

Table 4-2 Types of DDR DRAM devices 54



# Introduction to iBook Developer Note

---

This developer note gives a technical description of the iBook. The note provides information about the computer's internal design, input-output features, and expansion capabilities.

**Note:** This developer note has been updated to include information about the latest product features and configurations.

This developer note is intended to help hardware and software developers design products that are compatible with the Macintosh products described here. For additional technical information on Macintosh computers, refer to [“Supplemental Reference Documents”](#) (page 57).

## Organization of This Document

The information in this note is arranged in four chapters and two appendices.

- [Chapter 1, “Overview of the iBook”](#) (page 11) introduces the iBook and describes its features, with emphasis on the changes since the previous model.
- [Chapter 2, “Architecture”](#) (page 19) describes the internal logic of the iBook, including the main ICs that appear in the block diagram.
- [Chapter 3, “Devices and Ports”](#) (page 27) describes the standard I/O ports and the built-in I/O devices.
- [Chapter 4, “RAM Expansion”](#) (page 51) describes the RAM expansion module.
- [Appendix A, “Supplemental Reference Documents”](#) (page 57) tells where to find more information about specific technologies used in the iBook.
- [Appendix B, “Conventions and Abbreviations”](#) (page 61) lists the standard units and abbreviations used in this developer note.



# Overview of the iBook

---

The iBook is a portable computer for the consumer and education markets. This chapter lists the computer's features, with emphasis on the changes from the previous models.

## New Features

The features that have changed are listed here along with references to the sections that describe them.

- **Processor speed:** The clock speed of the Power PC G4 microprocessor is 1.2 GHz or 1.33 GHz. See [“PowerPC G4 Microprocessor”](#) (page 21).
- **Hard disk storage:** The iBook has a hard disk drive with a storage capacity of 30 GB or 60 GB and build-to-order options of 60 GB or 80 GB. For more information and developer guidelines for alternative hard drives, see [“Hard Disk Drive”](#) (page 33).
- **SuperDrive:** Some configurations with the 14.1” display come standard with a slot-loading SuperDrive. For more information, see [“SuperDrive”](#) (page 38).
- **AirPort Extreme Card:** All configurations (except the entry 12.1-in configuration with a CD-ROM) come standard with built-in AirPort Extreme. See [“AirPort Extreme Interface”](#) (page 25).
- **Weight:** With the battery installed, the 12.1-inch display models weigh approximately 2.2 kg (4.9 pounds) and the 14.1-inch display model weighs approximately 2.6 kg (5.9 pounds). The exact weight depends on the configuration.

## All Features

Here is a list of the features of the iBook. Each feature is described in a later chapter, as indicated in the list.

- **Processor speed:** The clock speed of the Power PC G4 microprocessor is 1.2 GHz or 1.33 GHz. See [“PowerPC G4 Microprocessor”](#) (page 21).
- **System bus:** The maximum speed of the system bus is 133 MHz.
- **Cache:** The microprocessor has a built-in L2 cache consisting of 512 KB of fast static RAM. The clock speed for the backside cache is the same as the clock speed of the microprocessor. See [“L2 Cache”](#) (page 21).
- **System RAM:** The computer comes with 256 MB of soldered down RAM. The expansion slot capacity is an additional 128, 256, 512 MB, or 1 GB supporting a maximum of 1.25 GB. For more information, see [“RAM Expansion”](#) (page 51).
- **Hard disk storage:** The iBook has a hard disk drive with a storage capacity of 30 GB or 60 GB and build-to-order options of 60 GB or 80 GB. For more information and developer guidelines for alternative hard drives, see [“Hard Disk Drive”](#) (page 33).

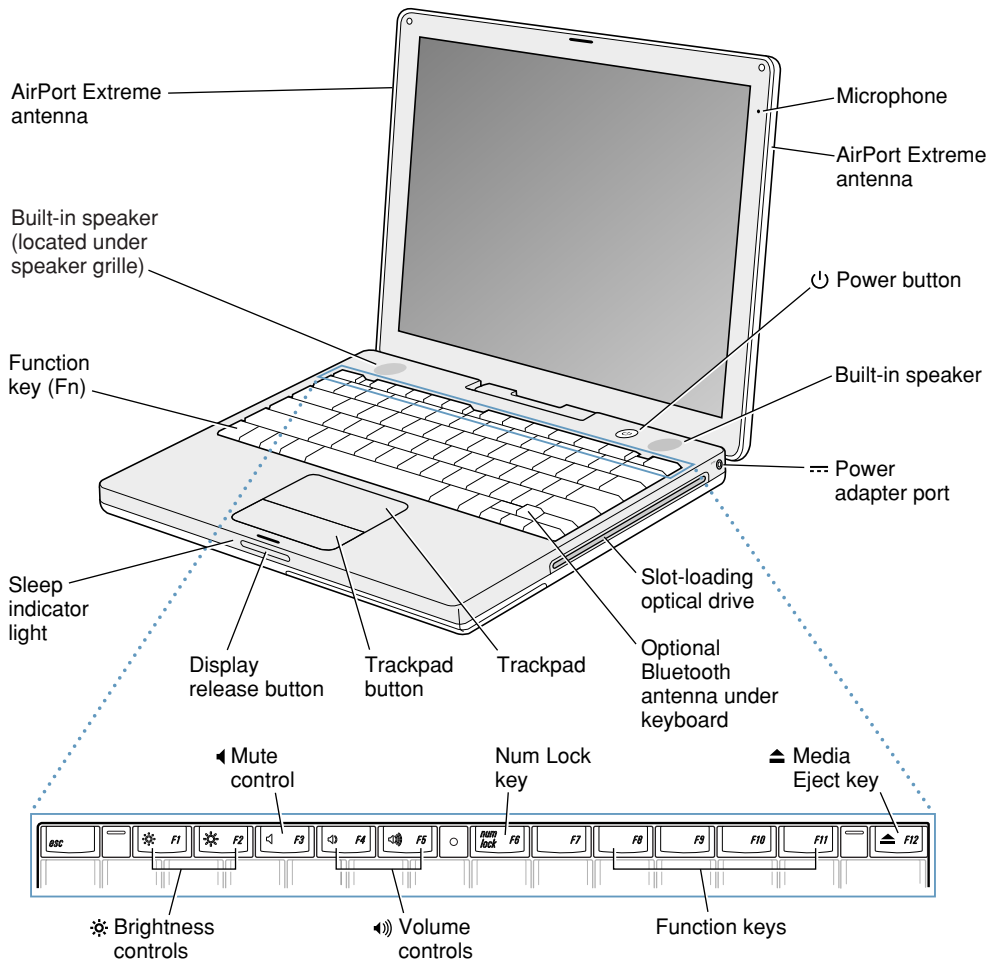
- **CD-ROM drive:** Some configurations of the computer have a built-in, slot-loading, 24x-speed CD-ROM drive. See [“CD-ROM Drive”](#) (page 37).
- **Combo drive:** Some configurations of the computer have a built-in, slot-loading, Combo drive (available as a build-to-order option on the 14.1” configuration). For more information, see [“Combo Drive”](#) (page 38).
- **SuperDrive:** Some configurations with the 14.1” display come standard with a slot-loading SuperDrive. For more information, see [“SuperDrive”](#) (page 38).
- **Display:** Two TFT display sizes are available: a 12.1-inch and a 14.1-inch. Both displays have XGA (1024x768) resolution. See [“Flat Panel Display”](#) (page 46).
- **External display connector:** The external display connector supports VGA, composite, and S-video formats for devices such as monitors and projectors. See [“External Display Port”](#) (page 47).
- **Graphics IC:** The display controller is an ATI Mobility Radeon 9200 with 32 MB of graphics DDR SDRAM. See [“Graphics IC”](#) (page 23).
- **Microphone:** The computer has a built-in microphone. See [“Sound System”](#) (page 49).
- **Battery:** The computer has one battery bay. The 50 watt-hour battery in the 12.1-inch display models uses six lithium ion cells and provides up to 6 hours of operation, depending on configuration and usage. The 62 watt-hour battery in the 14.1-inch display model uses eight lithium ion cells and provides up to 6 hours of operation, depending on configuration and usage.
- **USB 2.0 ports:** The computer has two external USB 2.0 ports. See [“USB Ports”](#) (page 27).
- **FireWire 400 port:** The computer has an IEEE-1394a FireWire 400 high-speed serial port. See [“FireWire 400 Port”](#) (page 28).
- **Target disk mode:** The computer can act like a FireWire storage device connected to another computer. See [“Target Disk Mode”](#) (page 16).
- **Modem:** The computer has a built-in modem that supports 56 Kbps data rate with V.92 modem standards. See [“Internal Modem”](#) (page 31).
- **Ethernet:** The computer has a built in Ethernet port for 10Base-T and 100Base-T operation. See [“Ethernet Port”](#) (page 30).
- **AirPort Extreme Card:** All configurations (except the entry 12.1-in configuration with a CD-ROM) come standard with built-in AirPort Extreme. See [“AirPort Extreme Interface”](#) (page 25).
- **Bluetooth:** Bluetooth is available as a build-to-order option. For more information, see [“Bluetooth Technology”](#) (page 33).
- **Sound:** The computer has a built-in microphone and stereo speakers; it provides stereo output signals on the audio minijack. See [“Sound System”](#) (page 49).
- **Keyboard:** The keyboard has function keys and inverted-T arrow keys. Some of the function keys are used to control the brightness and sound and to eject a disk. The keyboard also includes an embedded numeric keypad. See [“Keyboard”](#) (page 39).
- **Trackpad:** The integrated trackpad includes tap/double tap and drag features. See [“Trackpad”](#) (page 39).
- **Weight:** With the battery installed, the 12.1-inch display models weigh approximately 2.2 kg (5 pounds) and the 14.1-inch display model weighs approximately 2.6 kg (6 pounds). The exact weight depends on the configuration.
- **Size:** The 12.1-inch display models are 28.50 cm (11.2 inches) wide, depth 23.03 cm (9.06 inches) deep, and 3.42 cm (1.35 inches) thick. The 14.1-inch display model is 32.3 cm (12.7 inches) wide, 25.8 cm (10.2 inches) deep, and 3.42 cm (1.35 inches) thick.

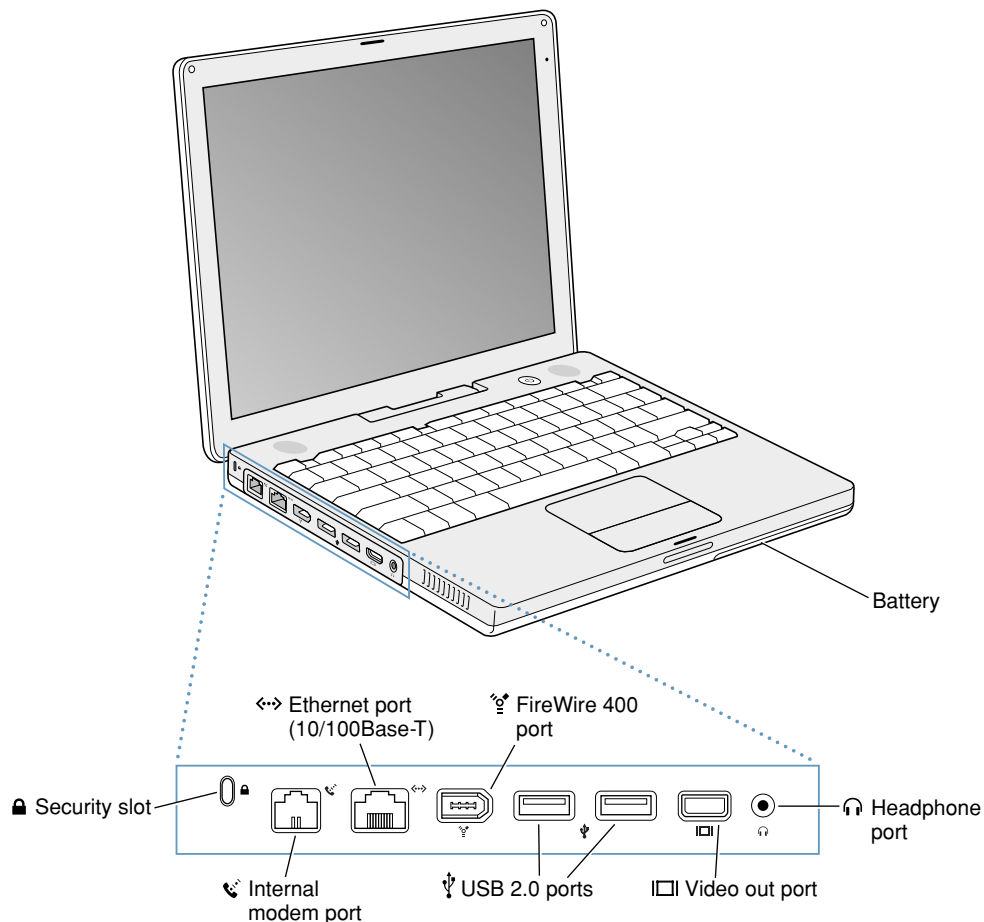
- **Security slot:** The iBook has a slot for attaching a Kensington security cable.

## Appearance

Figure 1-1 is a front view of the iBook; Figure 1-2 (page 14) provides a side view showing the I/O ports.

**Figure 1-1** Front view of the computer



**Figure 1-2** Side view showing I/O ports

## Peripheral Devices

In addition to the devices that are included with the computer, several peripheral devices are available separately:

- The battery is available separately as an additional or replacement battery.
- The power adapter, which comes with the computer, is also available separately. The adapter can recharge the internal battery in less than six hours while the computer is running or in three and a half hours while the computer is shut down or in sleep mode.
- A video adapter with composite and S-video connectors is available separately.
- A VGA adapter with a 15-pin VGA connector, included with the computer, is also available separately.
- Additional Apple Memory Module SO-DIMM SDRAM memory cards are available.

## System Software

The iBook comes with Mac OS X v. 10.3.5 installed as the default system and runs Mac OS 9 applications in Classic mode. For more information about Mac OS X, see the reference listed in “Mac OS X” (page 58).

### Machine Identification

---

Current and recent Macintosh ROMs share the same BoxFlag. The intent is for applications to use properties in the Open Firmware device tree rather than checking BoxFlag to find out the features of the machine. On all these machines, a call to `gestaltMachineType` returns the value 406 (\$196).

Asset management software that reports the kind of machine it is run on can obtain the value of the property at `Devices:device-tree:compatible` in the name registry. The model string is the first program-usable string in the array of C strings in the `compatible` field. For the iBook, the `model` property value is `PowerBook6,5`.

The string obtained from the `compatible` property cannot be displayed to the computer user. If available, use the result from calling `Gestalt ('mnam', &result)`, where `result` is a string pointer. This call returns a Pascal style string that can be displayed to the user.

Applications should not use either of these results to infer the presence of certain features; instead, applications should use `Gestalt` calls to test for the features they require.

### Power Management

---

Apple’s power management techniques for the iBook are described in the following paragraphs.

#### Power Saving States

---

The power management protocols on the iBook support two power-saving states: idle and sleep.

- **Idle:** The system is idling with the main processor in a low-power state. All clocks are running; the system can return to running code within a few nanoseconds. Cache coherency is maintained in this state. The CPU automatically transitions between run and idle, independent of the operating frequency. The operating frequency is based on the processor power management setting. For additional information, see “Processor Power Management” (page 16).
- **Sleep:** Most internal components are powered off and the state is saved; the DRAM state is retained for quick recovery. The processor is powered off with its state retained in DRAM. All clocks in the system are suspended except for the 32.768 kHz timebase crystal on the PMU99 IC.

The computer immediately enters the idle state during inactivity. The processor power management feature Dynamic Power Step sets the processor to the low performance state after a few 100s of ms to reduce the core frequency and voltage to save more power. If the computer is attached to a network, it is able to respond to service requests and other events directed to the computer while it is in idle state.

While it is connected to an AC power supply, the computer can also respond to network activity when it is in sleep state. The user can enable this feature by selecting Wake-on-LAN in the Energy Saver preference pane.

When operating on the battery in sleep state, the computer consumes less than 1 watt of power, meeting the Energy Star power-saving standard. When operating on the power adapter in sleep state, the combined computer and adapter consume 3 to 4 watts of power.

## Processor Power Management

---

To lower power consumption and heat generation, the iBook incorporates an automatic power management technique called dynamic frequency switching (DFS). DFS is designed to run at high processor speed and voltage when the demand on the processor is high, and to run at low processor speed and voltage when the demand on the processor is low. Switching between different processor speeds and voltages is achieved by a transition that operates seamlessly to the user and should not impact system or application performance.

The iBook allows the user to control DFS mode. The options for specifying either high, reduced, or automatic processor and bus speeds are located at System Preferences>Energy Saver>Show Details>Options>Processor Performance; then select Highest, Automatic, or Reduced.

DFS is enabled with the automatic setting; DFS also operates in the low setting.

If the iBook detects a system temperature that is high, due to high ambient temperatures or other factors, it will automatically force the system to reduced speed mode regardless of the selected setting.

When DFS is enabled, the processor dynamically adjusts its speed based on the current needs of the system. The processor speed will switch between 1330 MHz and 660 MHz or between 1200 MHz and 600 MHz, depending on the configuration.

**Note:** The memory bus speed is not shifted.

## Target Disk Mode

---

The user has the option at boot time to put the iBook into a mode of operation called target disk mode (TDM). When the iBook is in target disk mode and connected to another Macintosh computer by a FireWire cable, the iBook operates like a FireWire mass storage device with the SBP-2 (Serial Bus Protocol) standard. Target disk mode has two primary uses:

- data transfer between computers
- diagnosis and repair of a corrupted internal hard drive

The iBook can operate in target disk mode as long as the other computer has a FireWire port and either Mac OS X (any version) or Mac OS 9 with FireWire software version 2.3.3 or later.

When the iBook is in target disk mode, the optical drive can also be used through the FireWire connection. A disc inserted in the optical drive can be accessed using the Finder on the other computer. However, only the data portion of optical media on a CD and DVD is recognized.

To put the iBook into target disk mode, restart the computer and hold down the T key until the FireWire icon appears on the display. Then connect a FireWire cable from the iBook to the other computer. When the other computer completes the FireWire connection, a hard disk icon appears on its desktop.

If the iBook is turned off or the FireWire cable is disconnected while in target disk mode, an alert appears on the other computer. Disconnecting while the disk is in use can cause loss of data on the target disk.



## CHAPTER 1

### Overview of the iBook

To dismount the iBook out of target disk mode, drag the hard disk icon of the targeted computer to the trash on the main computer. When the computer is fully dismounted, press the power button on the targeted computer.

**Note:** When serving in target disk mode, the iBook runs at reduced bus speed, as described in [“Processor Power Management”](#) (page 16).

## CHAPTER 1

### Overview of the iBook

# Architecture

---

This chapter describes the architecture of the iBook.

## Block Diagram and Buses

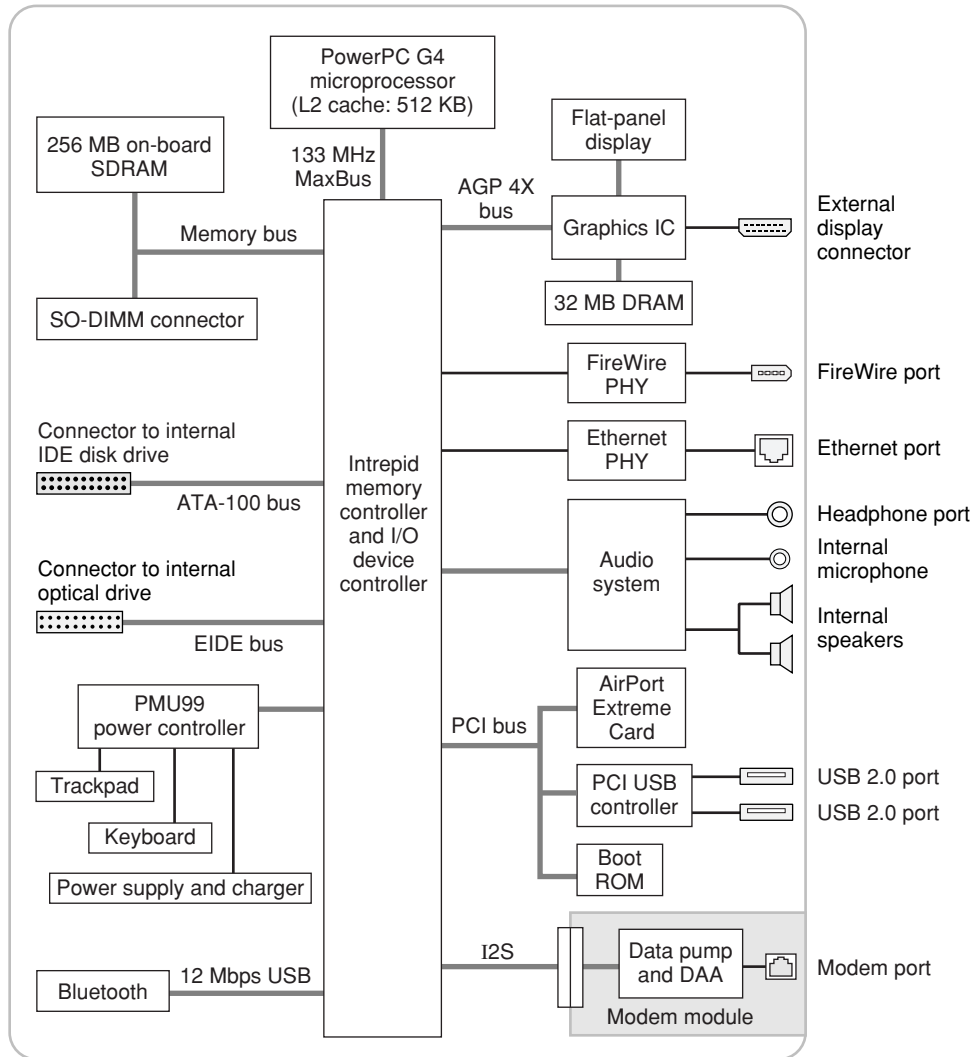
This section is an overview of the major ICs and buses on the computer's main logic board.

### Block Diagram

---

[Figure 2-1](#) (page 20) is a simplified block diagram of the main logic board. The diagram shows the input and output connectors, the main ICs, and the buses that connect them together.

Figure 2-1 Block diagram



## Main ICs and Buses

The architecture of the iBook is designed around the PowerPC G4 microprocessor and the Intrepid IC, which provides the functions of a memory controller and an I/O device controller.

The PowerPC G4 microprocessor is connected to the Intrepid IC by a MaxBus. The maximum bus clock speed is 133 MHz. Additional buses implemented by the Intrepid IC are summarized in [Table 2-1](#) (page 21).

The Intrepid IC has a 32-bit PCI bus with a bus clock speed of 33 MHz. The PCI bus also connects to the Boot ROM and the wireless LAN module. The Intrepid IC has other buses that connect with the hard disk drive, the optical drive, the power controller IC, the sound IC, and the internal modem module.

Each of the components listed here is described in one of the following sections.

## Microprocessor and Cache

The microprocessor communicates with the rest of the system by way of a 64-bit MaxBus bus to the Intrepid IC. The microprocessor has a separate bus to its internal second-level cache.

### PowerPC G4 Microprocessor

---

The PowerPC G4 microprocessor used in the iBook has many powerful features, including an efficient pipelined system bus called MaxBus.

Features of the PowerPC G4 include

- 32-bit PowerPC implementation
- superscalar PowerPC core
- Velocity Engine (AltiVec technology): 128-bit-wide vector execution unit
- dual 32 KB instruction and data caches
- an on-chip level 2 (L2) cache consisting of 512 KB with a clock speed ratio of 1:1
- high bandwidth MaxBus (also compatible with 60x bus)
- fully symmetric multiprocessing capability

The PowerPC G4 microprocessor in the iBook runs at a maximum clock speed of 1.2 GHz or 1.33 GHz.

### L2 Cache

---

The data storage for the L2 cache consists of 512 KB of fast static RAM that is built into the microprocessor chip along with the cache controller and tag storage. The built-in L2 cache runs at the same clock speed as the microprocessor.

## Intrepid Memory and I/O Device Controller

The Intrepid memory and I/O device controller IC provides cost and performance benefits by combining many functions into a single IC. It also contains the PCI bus bridge, the Ethernet, FireWire, and USB interfaces, and the AGP port.

In addition to the buses listed in [Table 2-1](#) (page 21), the Intrepid IC has separate interfaces to the physical layer (PHY) ICs for Ethernet and FireWire. Also, Intrepid has an I2C interface to configure the memory subsystem and an OHCI USB controller to connect the internal modem and Bluetooth modules.

**Table 2-1** Buses supported by the Intrepid IC

Bus	Destinations	Width of data path	Max bus clock speed or thru put
MaxBus	Microprocessor	64 bits	133 MHz

Bus	Destinations	Width of data path	Max bus clock speed or thru put
Memory	System RAM	64 bits	133 MHz
AGP4X	Graphics IC	32 bits	66 MHz
Ultra ATA-100	Hard drive	16 bits	100 MBps
EIDE	Optical drive	16 bits	16.7 MBps

The Intrepid IC provides DB-DMA (descriptor-based direct memory access) support for the I/O channels. The DB-DMA system provides a scatter-gather process based on memory resident data structures that describe the data transfers. The DMA engine is enhanced to allow bursting of data files for improved performance.

The microprocessor is described in its own section. The following sections describe the other subsystems that are connected to the Intrepid IC.

## System RAM

---

The memory subsystem in the iBook consists of 256 MB of DDR266B (PC2100) SDRAM soldered on the main logic board. The expansion slot capacity is an additional 128, 256, 512 MB, or 1 GB supporting a maximum of 1.25 GB.

The data bus to the RAM and SO-DIMM is 64 bits wide, and the memory interface is synchronized to the MaxBus interface at maximum speed of 133 MHz. For more information, see [“RAM Expansion”](#) (page 51).

## Boot ROM

---

The boot ROM includes the hardware-specific code and tables needed to start up the computer, to load an operating system, and to provide common hardware access services.

The boot ROM is connected to the card slot interface of the Intrepid IC. The boot ROM is a 1 M by 8 bit flash device and can be updated in the field.

## Ethernet Controller

---

The Intrepid IC includes an Ethernet media access controller (MAC) that implements the link layer. As a separate channel connected directly to the Intrepid logic, it can operate at its full capacity without degrading the performance of other peripheral devices.

The controller is connected to a PHY interface IC that is capable of operating in either 10-BaseT or 100-BaseT mode. The actual speed of the link is automatically negotiated by the PHY and the bridge or router to which it is connected. For information about the connector and the operation of the port, see [“Ethernet Port”](#) (page 30).

## FireWire 400 Controller

---

The Intrepid IC includes an IEEE 1394a FireWire 400 controller with a maximum data rate of 400 Mbits (50 MBytes) per second. The Intrepid IC provides DMA (direct memory access) support for the FireWire400 interface. The FireWire controller complies with the Open Host Controller Interface (OHCI) specification.

The controller IC implements the FireWire link layer. A physical layer IC, called a PHY, implements the electrical signalling protocol of the FireWire interface. The PHY is the interface to the external connector. For information about the connector and the operation of the port, see [“FireWire 400 Port”](#) (page 28).

## Graphics IC

---

The graphics IC is an ATI Mobility Radeon 9200 with 32 MB video memory. It provides video for both the internal flat panel display and an external video display. The signals to the external display can be either VGA, composite video, or S-video; for more information, see [“External Display Port”](#) (page 47).

The signal generated for the flat panel display is simultaneously available for an external display. The external display mirrors the built-in display. For more information, see [“External Display Port”](#) (page 47).

The graphics IC supports a display size of 1024x768 pixels and also has a scaling mode that displays a 640x480 or 800x600 pixel image on the full screen.

The ATI Mobility Radeon 9200 IC also has a 3D graphics engine for fast rendering of 3D objects.

Because the graphics IC uses the AGP bus, it can use part of main memory as additional graphics storage. The computer’s virtual memory system organizes main memory as randomly-distributed 4 KB pages, so DMA transactions for more than 4 KB of data would have to perform scatter-gather operations. The AGP logic in the Intrepid IC uses a graphics address remapping table (GART) to translate a linear address space for AGP transactions into physical addresses in main memory.

## DMA Support

---

The Intrepid IC provides DB-DMA (descriptor-based direct memory access) support for the following I/O channels:

- Ultra DMA ATA interface to the internal hard drive
- IIS channel to the sound IC

The DB-DMA system provides a scatter-gather process based on memory resident data structures that describe the data transfers. The DMA engine is enhanced to allow bursting of data files for improved performance.

## Interrupt Support

---

The Intrepid IC has an interrupt controller (MPIC) that handles interrupts generated within the IC as well as external interrupts, such as those from the Ethernet and FireWire controllers.

## ATA-100 Interface

---

The Intrepid IC provides an Ultra DMA ATA-100 channel that is connected to the internal hard disk drive. The Intrepid IC provides DB-DMA (descriptor-based direct memory access) support for the Ultra DMA interface.

The internal hard disk drive is connected as device 0 (master) in an ATA Device 0/1 configuration.

## EIDE Interface

---

The Intrepid IC provides an EIDE interface that supports the optical drive. The optical drive is an ATAPI drive and is device-selected as master in an ATA device configuration.

## USB 1.1 Controllers

---

The external USB interface is via the PCI USB controller; see [“PCI USB 2.0 Controller”](#) (page 25).

The Intrepid IC has three independent USB 1.1 host controllers each with a maximum data rate of 12 Mbps. The controllers comply with USB Open Host Controller Interface (OHCI).

In the iBook, only one of the Intrepid USB host controllers is used for the Bluetooth adapter. The other host controllers are disabled for power savings reasons.

## Modem Support

---

The internal modem is connected to an internal I2S port. The internal modem is a separate module that contains the datapump IC and the interface to the telephone line (DAA). The controller functions are performed by the main processor. See [“Internal Modem”](#) (page 31).

## Sound Circuitry

---

The iBook has sound circuitry that is connected to the Intrepid IC by a standard I2S bus. The Intrepid IC provides DB-DMA (descriptor-based direct memory access) support for the I2S port.

The sound circuitry includes a signal processing IC that handles the equalization and volume control functions and a codec IC that performs A-to-D and D-to-A conversion.

All audio is handled digitally inside the computer. The sound circuitry performs digital-to-analog conversion for the audio signals to the internal speakers and the headphone mini-jack. The sound circuitry also provides parametric equalization for the internal speakers.

Modem progress audio is connected as a digital input to the sound circuitry so that it can be mixed into the sound output stream. The modem progress audio is processed as play-through only, not as a digital sound source.

The iBook has no dedicated sound input jack. The sound system supports the built-in microphone and other sound input by way of a USB microphone or other USB audio device. For information about sound system operation, see [“Sound System”](#) (page 49).



## Power Control IC

---

The power manager IC in the iBook is a Mitsubishi M16C/62F microprocessor, also called the PMU99. It operates with its own RAM and ROM. The functions of the PMU99 include:

- controlling the sleep and power on and off sequences
- controlling power to the other ICs
- monitoring the battery charge level
- controlling battery charging
- supporting the interface to the built-in keyboard and trackpad
- keeping track of real time clock operations, including date and time

The iBook can operate from a 15-volt power outlet on an airliner, however for safety reasons the computer will not allow battery charging. In order for the computer to detect the connection to airline power, the airline power cable (available separately) should have a sense resistor of 24.3K ohms connected between the power plug's shell and ground.

The PMU99 also provides the hardware interface to the keyboard and trackpad. Software in the PMU99 IC scans the keyboard and receives data from the trackpad, then sends the data to the system in packets like those from the ADB. To the system, the keyboard and trackpad behave as if they were ADB devices.

## AirPort Extreme Interface

AirPort Extreme contains a media access controller (MAC), a digital signal processor (DSP), and a radio-frequency (RF) section.

Two antennas are built into the computer's case. To improve reception, a diversity module between the antennas and the card measures the signal strength from both antennas and selects the stronger signal for AirPort Extreme.

AirPort Extreme is compliant with the IEEE 802.11g standard. The card transmits and receives data at up to 54 Mbps and is compatible with 802.11b-standard 11 Mbps systems and older 802.11b-standard systems. For information about its operation, see ["AirPort Extreme"](#) (page 31).

## PCI USB 2.0 Controller

The iBook CPU uses a PCI USB controller with one Enhanced Host Controller Interface (EHCI) function and two Open Host Controller Interface (OHCI) functions. The controller supports two external USB 2.0 ports.

The two external USB ports comply with the Universal Serial Bus Specification 2.0. The USB register set complies with the EHCI and OHCI specifications. For more information, see ["USB Ports"](#) (page 27).

The two external USB 2.0 connectors support USB devices with data transfer rates of up to 480 Mbps. For more information about the connectors, see ["USB Connector"](#) (page 27).

All USB devices connected to the iBook are required to support USB-suspend mode as defined in the USB specification. For additional reference information, see [“USB Interface”](#) (page 59).

The USB ports on the iBook comply with the Universal Serial Bus Specification 2.0. The USB controllers comply with the EHCI specification; the companion controllers comply with the OHCI specification.

For information on the Intrepid USB 1.1 interface, see [“USB 1.1 Controllers”](#) (page 13).

# Devices and Ports

This chapter describes both the built-in I/O devices and the ports for connecting external I/O devices. Each of the following sections describes an I/O port or device.

## USB Ports

The iBook has two external USB 2.0 ports that can be used to connect additional I/O devices such as a USB mouse, printers, scanners, and storage devices.

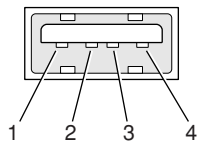
The USB ports on the iBook comply with the Universal Serial Bus Specification 2.0. For more information about USB on Macintosh computers, consult the references at “[USB Interface](#)” (page 59).

**Note:** Some self-powered USB devices inadvertently violate electrical specifications for self-powered USB devices. For details and ways to avoid this design issue, refer to <http://developer.apple.com/qa/hw/hw82.html>.

## USB Connector

The USB port uses a USB Type A connector, which has four pins. Two of the pins are used for power and two for data. [Figure 3-1](#) (page 27) is an illustration of a Type A USB port. [Table 3-1](#) (page 27) shows the pin assignments.

**Figure 3-1** USB Type A connector



**Table 3-1** Pin assignments on the USB port

Pin	Signal name	Description
1	VCC	+5 VDC
2	D-	Data -
3	D+	Data +
4	GND	Ground

The iBook provides power for the USB ports at 5 V and up to 500 mA each.

Each USB port supports low-, full-, and high-speed data transfers at rates of 1.5 Mbps, 12 Mbps, and 480 Mbps, respectively. All cables and peripherals should be compliant with the USB specification.

The Macintosh USB system software that comes with the iBook supports all four data transfer types defined in the USB specification.

## USB Device Programming

---

Mac OS X includes support for a variety of USB Class Compliant devices and provides access to vendor specific devices. Developers can use the built-in support or provide additional applications and drivers.

In Mac OS X, The USB Family (IOUSBFamily) handles device plug and unplug and supplies IOKit with a USB-specific matching method. The general services publish information about the bus and the devices in the IO Registry, so that IO Kit can match drivers to each connected USB device.

In the iBook, Mac OS X provides the following USB class compliant drivers:

- Audio
- Bluetooth
- CDC (Communication Data Class)
  - modem (abstract control model only)
- HID (Human Interface Device)
  - boot protocol
  - report protocol
- HUB
- Mass storage
- MIDI
- Printer
- Still image/PTP (digital still cameras)

For information on writing USB drivers or applications, download the latest USB SDK from <http://developer.apple.com/sdk/>.

For information about USB support on the Macintosh, see the references in “USB Interface” (page 59).

## FireWire 400 Port

The iBook has one external FireWire 400 IEEE 1394a port. The FireWire 400 port

- supports serial I/O at 100, 200, and 400 Mbps (megabits per second)

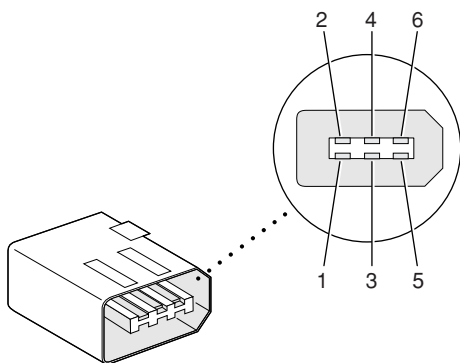
- provides up to 7 watts of peak power when the computer system is on or the power adapter is connected
- supports booting the system from a mass storage device
- supports target disk mode (TDM)

The FireWire 400 hardware and software provided with the iBook are capable of all asynchronous and isochronous transfers defined by IEEE standard 1394.

## FireWire 400 Connector

The FireWire 400 connector has six contacts, as shown in [Figure 3-2](#) (page 29). The connector pin assignments are shown in [Table 3-2](#) (page 29).

**Figure 3-2** FireWire 400 connector



**Table 3-2** Pin assignments on the FireWire 400 connector

Pin	Signal name	Description
1	Power	Unregulated DC; 12.0–16.8 V no load when operating with battery or power adapter
2	Ground	Ground return for power and inner cable shield
3	TPB-	Twisted-pair B, differential signals
4	TPB+	Twisted-pair B, differential signals
5	TPA-	Twisted-pair A, differential signals
6	TPA+	Twisted-pair A, differential signals
Shell	—	Outer cable shield

When the computer is on, or the computer is sleeping with the power adapter connected, the power pin provides a maximum voltage of 16.8 V (no load) and up to 7 W peak power.

Pin 2 of the 6-pin FireWire 400 connector is ground for both power and the inner cable shield. If a 4-pin connector is used on the other end of the FireWire 400 cable, its shell should be connected to the wire from pin 2.

The signal pairs are crossed in the cable itself so that pins 5 and 6 at one end of the cable connect with pins 3 and 4 at the other end. When transmitting, pins 3 and 4 carry data and pins 5 and 6 carry clock; when receiving, the reverse is true.

## FireWire 400 Device Programming

Mac OS X includes general support for the FireWire bus and specific support for various kinds of FireWire devices and protocols. Developers can use the built-in support or provide additional applications and drivers for use with their products.

The general FireWire services will configure the FireWire bus, scan the bus for new devices, and allow multiple drivers and devices to share a single FireWire interface cooperatively. The general services also publish information about the bus and the devices in the IO Registry, so that IO Kit can match protocols and drivers to each connected FireWire device.

The specific device and protocol support in Mac OS X as provided with the iBook includes the following:

- General services for Serial Bus Protocol 2 (SBP-2) and support for most mass storage devices using SBP-2, such as hard disk drives, optical drives, flash card readers, Target Disk Mode (see “[Overview of the iBook](#)” (page 11)), and the iPod. Mac OS X can boot from most of these devices.
- General services for the Audio Video Control (AV/C) protocol and support for most digital video (DV) cameras and decks using this protocol, including video capture through standard QuickTime APIs.
- A QuickTime device driver for IIDC/DCAM type cameras such as the iSight.
- A network device driver supporting IP (Internet Protocol) over FireWire according to IEEE RFC 2734.
- Additional services for user-space and kernel access to all FireWire resources.

For information on writing FireWire drivers or applications, download the latest FireWire SDK from <http://developer.apple.com/sdk/>.

For additional information about the FireWire 400 interface, refer to the resources listed in “[FireWire 400 Interface](#)” (page 60).

## Ethernet Port

The iBook has a built-in 10/100 Mbps Ethernet port. The user can connect it to either a 10Base-T or a 100Base-T hub; the port will automatically sense which type of hub is connected.

The connector for the Ethernet port is a shielded RJ-45 connector near the left rear corner of the computer. [Table 3-3](#) (page 30) shows the signals and pins on the connector.

**Table 3-3** Signals on the Ethernet connector

Pin	Signal name	Signal definition
1	TXP	Transmit (positive lead)
2	TXN	Transmit (negative lead)

Pin	Signal name	Signal definition
3	RXP	Receive (positive lead)
4	–	Not used
5	–	Not used
6	RXN	Receive (negative lead)
7	–	Not used
8	–	Not used

When connecting two computers using Ethernet, a crossover cable is not required; circuits in the PHY detect the type of connection and switch the signal configuration as required.

The Ethernet interface in the iBook conforms to the ISO/IEC 802.3 specification, where applicable.

## Internal Modem

The iBook comes with a built-in modem. The connector for the modem is an RJ-11 connector on the left rear corner of the computer.

The modem has the following features:

- modem bit rates up to 56 Kbps (V.92 modem standards)
- fax modem bit rates up to 14.4 Kbps

The modem appears to the system as a serial port that responds to the typical AT commands.

## AirPort Extreme

The iBook computer supports the AirPort Extreme Card, an internal wireless LAN module that is compliant with the IEEE 802.11g standard. By communicating wirelessly with a base station, AirPort Extreme can be used for internet access, email access, and file exchange. A base station provides the connection to the Internet or the bridge between the wireless signals and a wired LAN or both. The AirPort Extreme Base Station has connectors for a wired LAN, a DSL or cable modem, or a standard telephone line using the optional 56K modem that is built-in on some models.

AirPort Extreme transmits and receives data at speeds up to 54 Mbps, comparable to wired networking speeds. AirPort Extreme is also compatible with other devices that follow the IEEE 802.11b standard, including PC's. For more information about compatibility, see the reference at ["Wireless Networks"](#) (page 60).

## Data Security

---

AirPort Extreme has several features designed to maintain the security of the user's data.

- In 802.11b mode, the system uses direct-sequence spread-spectrum (DSSS) technology that uses a multi-bit spreading code that effectively scrambles the data for any receiver that lacks the corresponding code.
- The system can use an Access Control List of authentic network client ID values (wireless and MAC addresses) to verify each client's identity before granting access to the network.
- When communicating with a base station, AirPort Extreme uses 64-bit and 128-bit WEP encryption to encode data while it is in transit. Additional security features may be available via firmware upgrades as 802.11 enhancements are ratified by IEEE.
- The AirPort Extreme Base Station can be configured to use NAT (Network Address Translation), protecting data from Internet hackers.
- The AirPort Extreme Base Station can authenticate users by their unique Ethernet IDs, preventing unauthorized computers from logging into your network. Network administrators can take advantage of RADIUS compatibility, used for authenticating users over a remote server. Smaller networks can offer the same security using a local look-up table located within the base station.

As an additional data security measure, VPN can be used in conjunction with the AirPort Extreme data security.

## AirPort Extreme Hardware

---

AirPort Extreme is a fully-integrated, wireless LAN module compliant with the IEEE 802.11g standard using both OFDM (orthogonal frequency-division multiplexing) and DSSS technologies. Using DSSS, AirPort Extreme is interoperable with PC-compatible wireless LANs that conform to the 802.11b standard at speeds of 11 Mbps, 5.5 Mbps, 2 Mbps, and 1 Mbps. Using OFDM, AirPort Extreme is compatible with all 802.11g standard speeds.

Two antennas are built into the computer, on either side of the flat-panel display. One antenna is always used for transmitting. Either of the two antennas may be used for receiving. Using a diversity technique, AirPort Extreme may select the antenna that gives the best reception.

## AirPort Extreme Software

---

The iBook includes software for setting up and using AirPort Extreme:

- AirPort Extreme Setup Assistant, an easy-to-use program that guides users through the steps necessary to set up AirPort Extreme or set up an AirPort Extreme Base Station.
- Users can switch between wireless networks and can create and join peer-to-peer networks. These functions are accessed via the AirPort Extreme status menu.
- AirPort Extreme Admin Utility, a utility for advanced users and system administrators. With it the user can edit the administrative and advanced settings needed for some advanced configurations.



## Bluetooth Technology

Bluetooth is an open specification that enables short-range wireless connections between desktop and laptop computers and a host of other peripheral devices. Bluetooth support is built into Mac OS X and compliant with Bluetooth specification v1.1. It operates on a globally available 2.4 GHz frequency band (ISM band) for worldwide compatibility and has a maximum throughput of 1Mbps.

The Bluetooth technology supports the following profiles:

- serial port (SPP) — provides a wireless serial connection to other Bluetooth devices
- dial-up networking (DUN) — enables a mobile phone to act as a modem
- object push (OPP) — enables the transfer of files between Bluetooth devices
- human interface device (HID) — enables the use of Bluetooth input devices (keyboards and mice)
- Bluetooth file transfer profile (FTP) — enables browsing of the file system of other Bluetooth devices which support Bluetooth FTP
- hardcopy cable replacement profiler (HCRP) — describes how to send rendered data over a Bluetooth link to a device, such as a printer. Although other profiles can be used for printing, the HCRP is specially designed to support hardcopy applications. Note: currently, to use this profile, Apple's Bluetooth Update Version 1.5 must be installed.
- headset profile (HSP) — enables the use of Bluetooth-enabled wireless headsets for applications such as iChat. This profile does not enable use of Apple Speech Recognition due to the fact that it is a low-precision audio channel. Note: currently, to use this profile, Apple's Bluetooth Update Version 1.5 as well as Firmware Update Version 1.1 must be installed.

When added as a build-to-order option, Bluetooth is installed by Apple as a fully integrated module. Accessing the Bluetooth capabilities without purchasing the integrated module will require a third-party dongle.

When the Bluetooth option is installed, the Bluetooth antenna is located under the lower right side of the keyboard.

For more information on Bluetooth technology, refer to ["Bluetooth"](#) (page 60).

## Hard Disk Drive

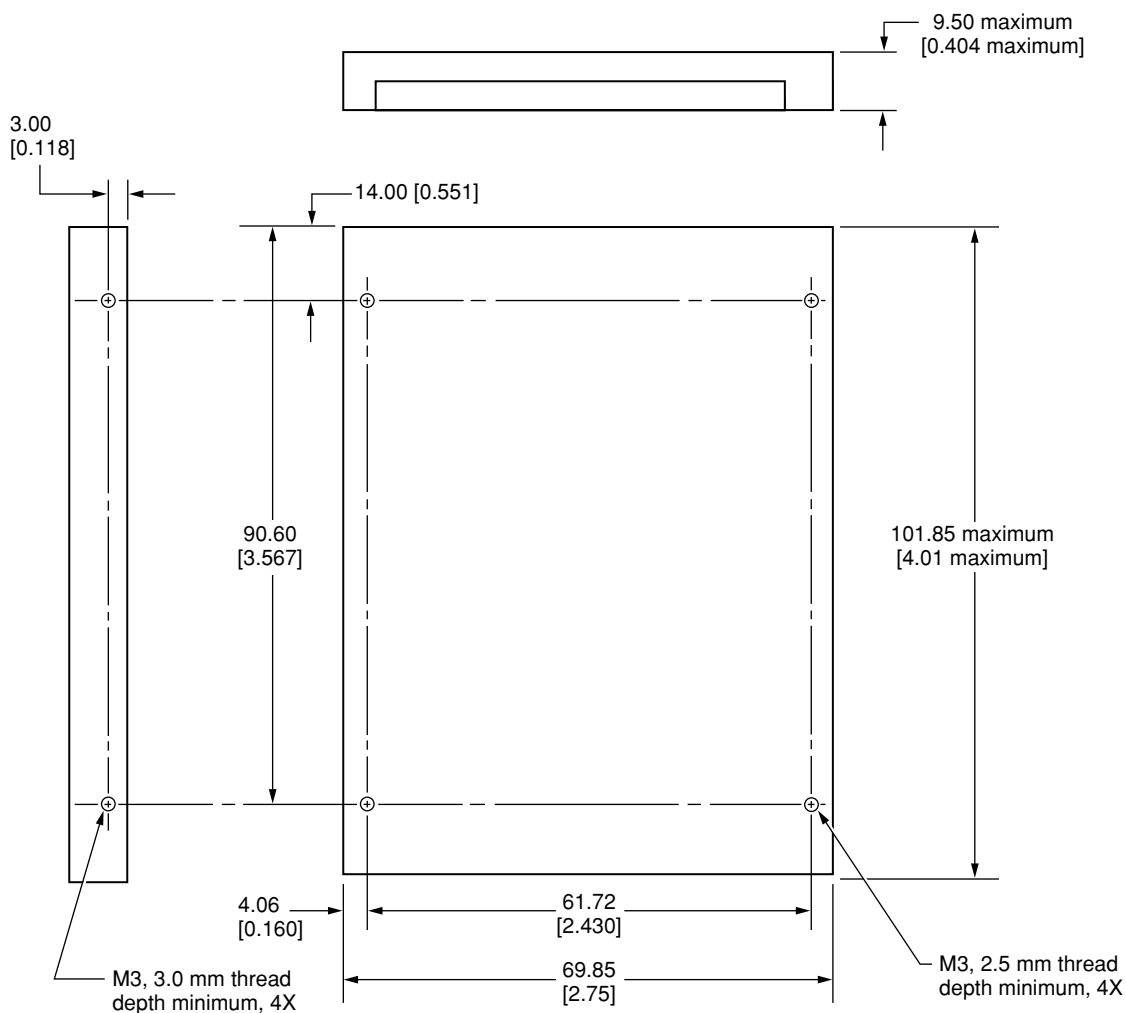
The storage capacity of the internal hard disk drive is 30 GB or 60 GB; a 60 GB or 80 GB drive is available as a build-to-order option. The drive uses the Ultra ATA-100 (IDE, integrated drive electronics) interface and is ATA-6 compatible. Data Transfer Mode for the drive is ATA-100.

The software that supports the internal hard disk is similar to that in previous models with internal IDE drives and includes DMA support. For the information about that software, see the references in ["ATA Devices"](#) (page 59).

## Hard Disk Dimensions

Figure 3-3 (page 34) shows the maximum dimensions of the hard disk and the location of the mounting holes. The minimum clearance between any conductive components on the drive and the bottom of the mounting envelope is 0.5 mm.

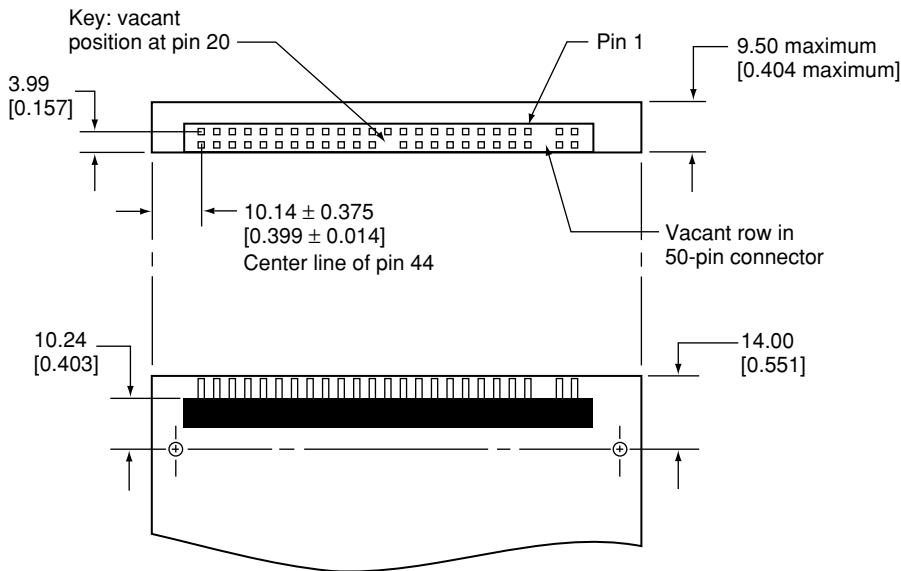
**Figure 3-3** Maximum dimensions of the internal hard disk



Note: Dimensions are in millimeters [inches].

## Hard Disk Connector

The internal hard disk has a 48-pin connector that carries both the ATA signals and the power for the drive. The connector has the dimensions of a 50-pin connector, but with one row of pins removed, as shown in Figure 3-4 (page 35). The remaining pins are in two groups: pins 1–44, which carry the signals and power, and pins 45–48, which are reserved. Pin 20 has been removed, and pin 1 is located nearest the gap, rather than at the end of the connector.

**Figure 3-4** Hard disk connector and location

Note: Dimensions are in millimeters [inches].

## Signal Assignments

Table 3-4 (page 35) shows the signal assignments on the 44-pin portion of the hard disk connector. A slash (/) at the beginning of a signal name indicates an active-low signal.

**Table 3-4** Pin assignments on the ATA hard disk connector

Pin number	Signal name	Pin number	Signal name
1	/RESET	2	GROUND
3	DD7	4	DD8
5	DD6	6	DD9
7	DD5	8	DD10
9	DD4	10	DD11
11	DD3	12	DD12
13	DD2	14	DD13
15	DD1	16	DD14
17	DD0	18	DD15
19	GROUND	20	KEY
21	DMARQ	22	GROUND

Pin number	Signal name	Pin number	Signal name
23	/DIOW, /STOP	24	GROUND
25	/DIOR, /HDMARDY, HSTROBE	26	GROUND
27	IORDY, /DDMARDY, DSTROBE	28	CSEL
29	/DMACK	30	GROUND
31	INTRQ	32	obsolete
33	/DA1	34	/PDIAG, /CBLID
35	/DA0	36	/DA2
37	/CS0	38	/CS1
39	/DASP	40	GROUND
41	+5V LOGIC	42	+5V MOTOR
43	GROUND	44	Reserved
/IOCS16 is not used; see Table 3-5			

## ATA Signal Descriptions

Table 3-5 (page 36) describes the signals on the ATA hard disk connector.

**Table 3-5** Signals on the ATA hard disk connector

Signal name	Signal description
/DA(0–2)	Device address; used by the computer to select one of the registers in the ATA drive. For more information, see the descriptions of the CS0 and CS1 signals.
DD(0–15)	Data bus; buffered from IOD(16–31) of the computer's I/O bus. DD(0–15) are used to transfer 16-bit data to and from the drive buffer. DD(8–15) are used to transfer data to and from the internal registers of the drive, with DD(0–7) driven high when writing.
/CBLID	The host checks this signal after Power On or hardware reset to detect whether an 80-conductor cable is present.
/CS0	Register select signal. It is asserted low to select the main task file registers. The task file registers indicate the command, the sector address, and the sector count.
/CS1	Register select signal. It is asserted low to select the additional control and status registers on the ATA drive.
CSEL	Cable select; not available on this computer (n.c.).
/DASP	Device active or slave present; not available on this computer (n.c.).

Signal name	Signal description
/DDMARDY	Drive ready to receive Ultra DMA data.
/DIOR	I/O data read strobe.
/DIOW	I/O data write strobe.
/DMACK	Used by the host to initiate a DMA transfer in response to DMARQ.
DSTROBE	Strobe for Ultra DMA data transfers to host.
/HDMARDY	Ultra DMA data ready.
HSTROBE	Strobe for Ultra DMA data transfers from host.
IORDY	I/O ready; when driven low by the drive, signals the CPU to insert wait states into the I/O read or write cycles.
/IOCS16	I/O channel select; not used on this computer (pulled low by a 1 kilohm resistor).
DMARQ	Asserted by the device when it is ready to transfer data to or from the host.
INTRQ	Interrupt request. This active high signal is used to inform the computer that a data transfer is requested or that a command has terminated.
/PDIAG	Asserted by device 1 to indicate to device 0 that it has completed the power-on diagnostics; not available on this computer (n.c.).
/RESET	Hardware reset to the drive; an active low signal.
/STOP	Stop request; an active low signal.
Key	This pin is the key for the connector.

The built-in ATA devices are connected to the I/O bus through bidirectional bus buffers.

## CD-ROM Drive

Some configurations of the iBook have an internal, slot-loading CD-ROM drive. The drive supports a maximum 24X data transfer rates using constant angular velocity (CAV).

The CD-ROM drive supports the worldwide standards and specifications for CD-ROM and CD-digital audio discs described in the Sony/Philips Yellow Book and Red Book. The drive can read CD-ROM, CD-ROM XA, CD-I, PhotoCD, and Video CD discs as well as play standard audio discs.

Digital audio signals from the CD-ROM can be played through the sound outputs under the control of the System Preferences.

**Important:** The CD-ROM drive supports only 12 cm disc media. It does not support 8 cm discs or noncircular media.

## Combo Drive

Some configurations of the computer have a slot-loading, combination DVD-ROM and CD-RW drive.

The drive can read DVD media and read and write CD media, as shown in [Table 3-6](#) (page 38).

**Table 3-6** Types of media read and written by the Combo drive

Media type	Maximum reading speed	Maximum writing speed
DVD-ROM	8x (CAV)	–
CD-R	24x (CAV)	24x (ZCLV)
CD-RW	24x (CAV)	16x (ZCLV)
CD or CD-ROM	24x (CAV)	–

Digital audio signals from the Combo drive can be played through the sound outputs under the control of the System Preferences.

**Important:** The Combo drive supports only 12 cm disc media. It does not support 8 cm discs or noncircular media.

## SuperDrive

Some configurations of the iBook have a slot-loading Apple SuperDrive.

The SuperDrive can read and write DVD media and CD media, as shown in [Table 3-7](#) (page 38) and provides DVD-Video playback.

**Table 3-7** Media read and written by the SuperDrive

Media type	Reading speed (maximum)	Writing speed
DVD-R	6x (CAV)	4x (ZCLV)
DVD-RW	4x (CAV)	2x (CLV)
DVD-ROM	8x (CAV, single layer) 6x (CAV, dual layer)	–
CD-R	24x (CAV)	16x (ZCLV)
CD-RW	16x (CAV)	8x (CLV)

Media type	Reading speed (maximum)	Writing speed
CD-ROM	24x (CAV)	–

The SuperDrive writes to DVD-R 4.7 gigabyte General Use media. These discs are playable in most standard DVD players and computer DVD-ROM drives.

Digital audio signals from the SuperDrive can be played through the sound outputs under the control of the Sound Manager. The SuperDrive is an ATAPI drive.

**Important:** The SuperDrive supports only 12 cm disc media. It does not support 8 cm discs or noncircular media.

## Trackpad

The pointing device in the iBook is a trackpad. The trackpad is a solid-state device that emulates a mouse by sensing the motions of the user's finger over its surface and translating those motions into cursor movements.

The user makes selections either by pressing the trackpad button (below the trackpad) or by tapping and double tapping on the pad itself. The trackpad responds to one or two taps on the pad itself as one or two clicks of the button. The user can tap and drag on the trackpad in much the same manner as clicking and dragging with the mouse. The tap and double-tap functions are optional; the user activates or deactivates them by means of the keyboard and mouse pane in System Preferences.

The trackpad on the iBook has palm-rejection capabilities that help prevent unintended trackpad input while typing is being performed. When the "Ignore trackpad while typing" checkbox is selected on the mouse pane of Systems Preferences, the system software attempts to filter out unintended contact with the trackpad. The trackpad will not respond when a mouse is present and the "Ignore trackpad when mouse is present" checkbox is selected on the keyboard mouse pane of Systems Preferences. The default setting is for all gestures to be turned off.

**Note:** If the trackpad is not responding to intended input, check to see if the "Ignore trackpad while typing" checkbox is selected.

## Keyboard

The keyboard is a compact, low-profile design with a row of function keys and inverted-T cursor motion keys.

### Removing the Keyboard

---

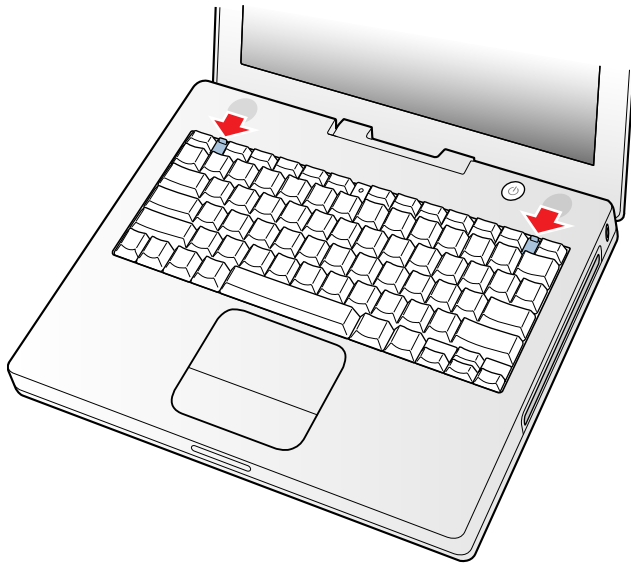
The keyboard is removable to allow access to the internal components and expansion connectors inside the computer. The keyboard is held in place by a locking screw and two latches.

To unlock the keyboard, the user turns a slotted screw that is part of the Num Lock LED, which is between the F5 and F6 function keys. Turning the screw 180° locks or unlocks the keyboard.

**Note:** The iBook leaves the factory with keyboard locking screw in the unlocked position.

The two latches are between the ESC key and the F1 key and between the F11 and F12 keys. The user can release the latches by pulling them toward the front of the computer; see [Figure 3-5](#) (page 40).

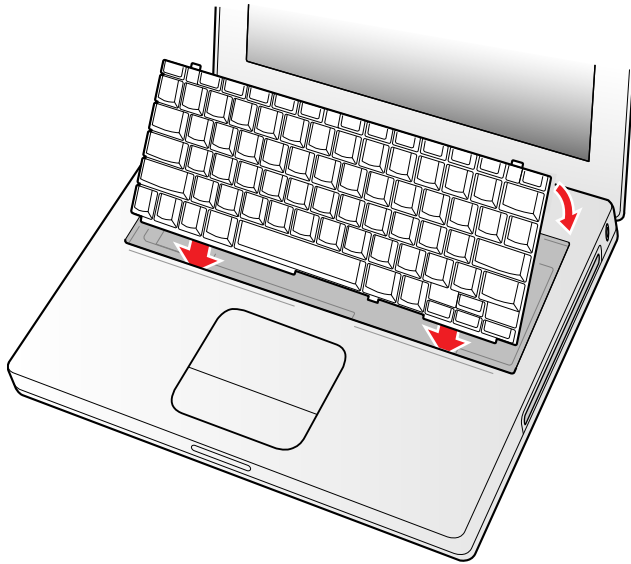
**Figure 3-5** Unlocking the keyboard





**Important:** When replacing the keyboard, make sure the latches at the top line up with the corresponding slots in the case and that the bottom tabs are aligned correctly and completely seated before tilting the keyboard into place. See [Figure 3-6](#) (page 41).

**Figure 3-6** Replacing the keyboard



Getting access to the AirPort Extreme Card and memory card in the RAM expansion slot takes further steps. For a full description, see [“The RAM Expansion Slot”](#) (page 51).

## Keyboard Illustrations

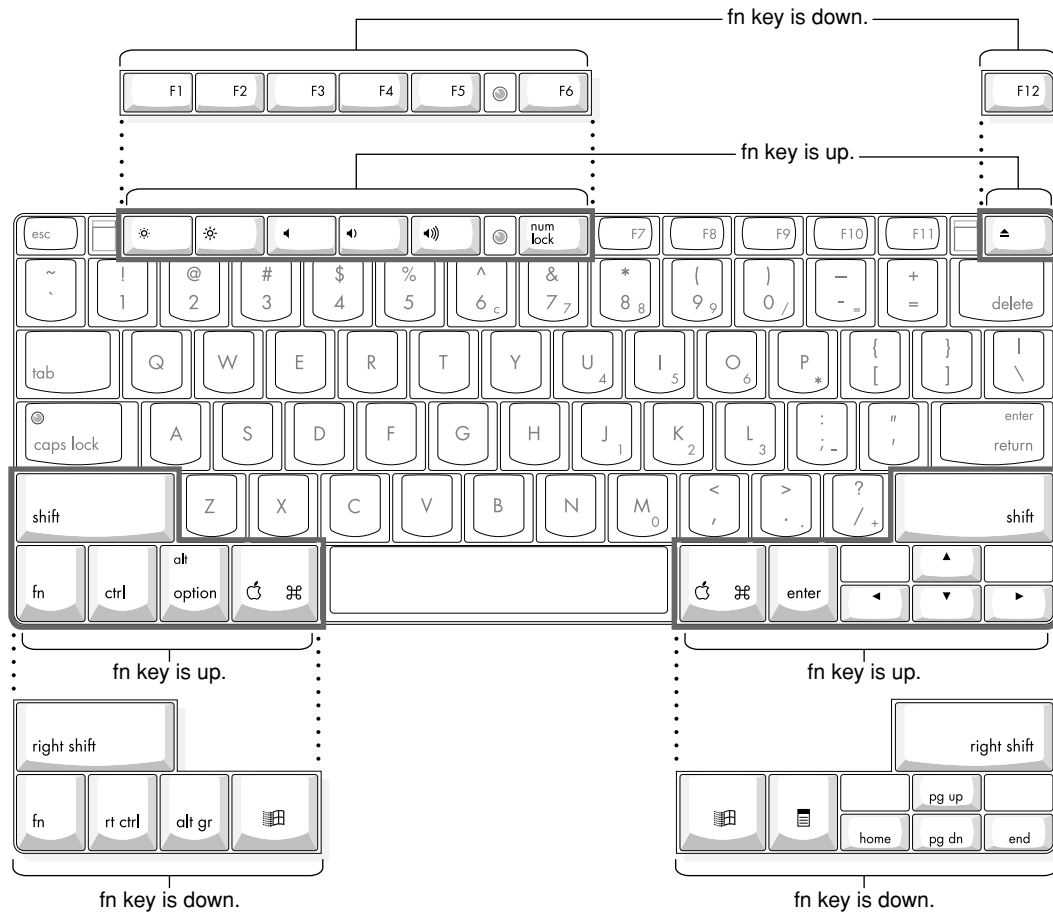
[Figure 3-7](#) (page 41) shows the appearance of the keyboard. [Figure 3-8](#) (page 42) shows the alternate modes of operation of the function and control keys. [Figure 3-9](#) (page 43) shows the embedded numeric keypad.

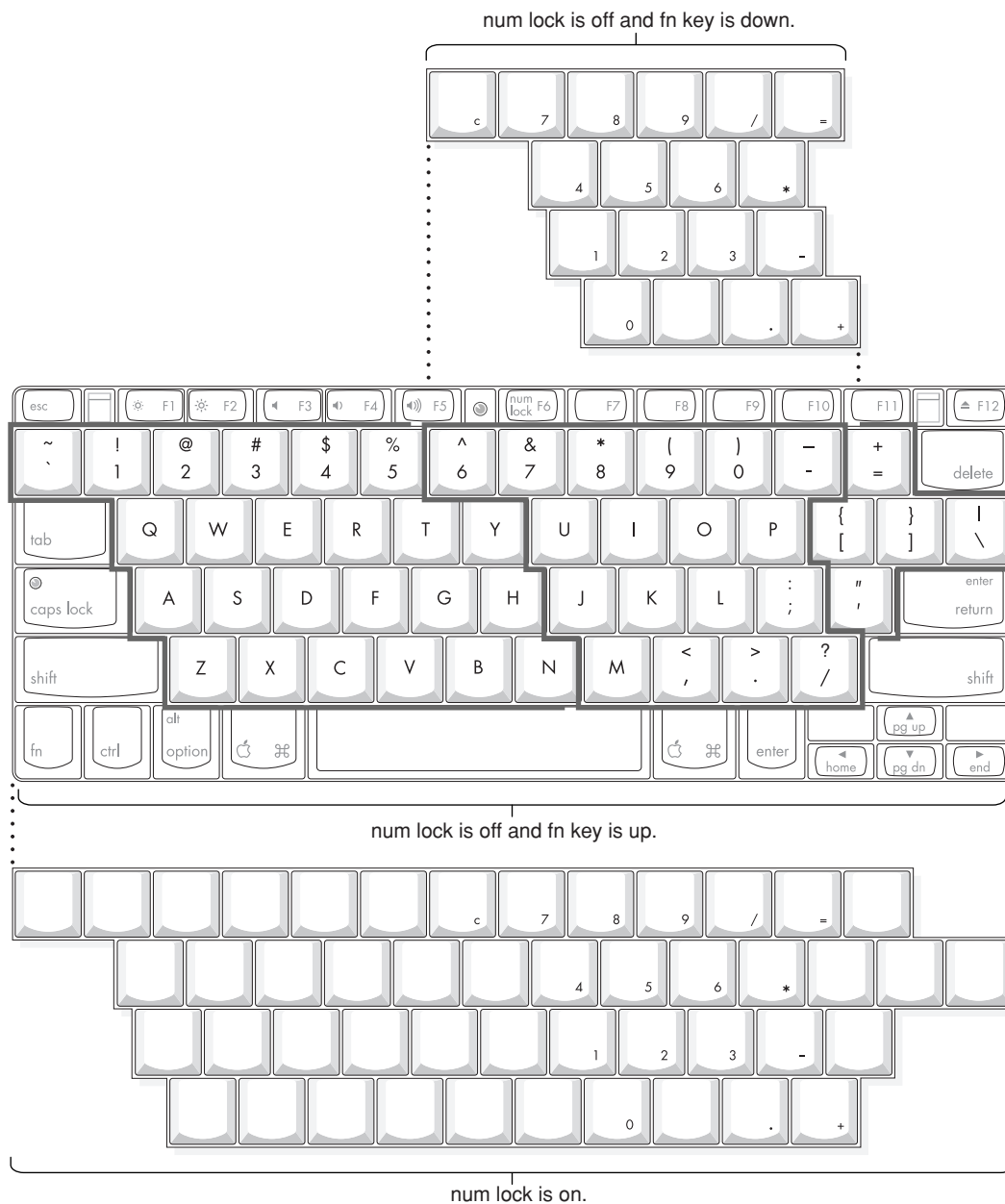
**Figure 3-7** Keyboard layout



Figure 3-8 (page 42) and Figure 3-9 (page 43) include duplicate versions of some keys in order to show their alternate modes of operation. In some cases, the alternate key captions shown in the figures do not appear on the keyboard. For the basic appearance of the keyboard, refer to Figure 3-7 (page 41).

**Figure 3-8** Alternate operations of function and control keys



**Figure 3-9** Embedded numeric keypad operation

## Keyboard Operations

Several of the keys on the keyboard have more than one mode of operation.

- Function keys F1–F6 can also control the display brightness, speaker volume, and the Num Lock function; function key F12 is also the media eject key.
- Certain control keys can be used as page-control keys.
- The keys on the right side of the keyboard can be used as a numeric keypad.

The next sections describe these groups of keys and the way their alternate modes of operation are selected by using the Fn key and the Num Lock key.

### Using the Fn Key

---

Pressing the Fn key affects three sets of keys: the function keys F1–F12, the embedded numeric keypad, and certain modifier keys.

- It toggles the function keys between their control-button operation and their F1–F12 functions, as shown in [Table 3-10](#) (page 46) and [Figure 3-8](#) (page 42).
- It selects the embedded numeric keypad on the right portion of the alphanumeric keys, as shown in [Table 3-8](#) (page 44) and [Figure 3-9](#) (page 43).
- It changes certain control keys, including the cursor control keys, to page control keys, as shown in [Table 3-10](#) (page 46) and [Figure 3-9](#) (page 43).

**Note:** Mac OS X supports user-programmable function key assignments.

### Using the Num Lock Key

---

Pressing the Num Lock key affects two sets of keys: the embedded keypad and the rest of the alphanumeric keys.

- It selects the embedded numeric keypad, as shown in [Table 3-8](#) (page 44) and [Figure 3-9](#) (page 43).
- It makes the rest of the alphanumeric keys functionless (NOPs), as shown in [Figure 3-9](#) (page 43).

### The Embedded Keypad

---

A certain group of alphanumeric keys can also function as an embedded keypad. The user selects this mode by using the Fn key or the Num Lock key. [Figure 3-9](#) (page 43) shows the keys making up the embedded keypad and [Table 3-8](#) (page 44) lists them.

**Table 3-8** Embedded keypad keys

Key name	Keypad function
6	Clear
7	7
8	8
9	9
0	/ (divide)
-	= (equals)
U	4

Key name	Keypad function
I	5
O	6
P	* (multiply)
J	1
K	2
L	3
;	– (subtract)
M	0
,	NOP
.	. (decimal)
/	+ (add)

When the embedded keypad is made active by the Num Lock key, the other alphanumeric keys have no operation (NOP), as shown in [Figure 3-9](#) (page 43). The affected keys include certain special character keys: plus and equal sign, right and left brackets, vertical bar and backslash, and straight apostrophe.

## Operations of the Function Keys

---

Function keys F1 through F6 are used as control buttons for the display and sound, and F12 is used for media eject (hold down F12 button for one or 2 seconds).

[Table 3-9](#) (page 45) defines the default operation of the function keys. The "Use the F1-F12 keys for custom actions" checkbox in the Keyboard and Mouse pane in System Preferences allows you to toggle the default operation of these keys to custom actions. When this checkbox is enabled, the function keys operate as F1 through F12 keys that can be customized within individual software applications. Holding down the fn key while the checkbox is enabled, will go back to perform the default action that is listed in [Table 3-9](#) (page 45).

**Table 3-9** The function keys as control buttons

Key name	Control button
F1	Decrease display brightness
F2	Increase display brightness
F3	Mute the speaker
F4	Decrease speaker volume
F5	Increase speaker volume

Key name	Control button
F6	Num Lock
F12	Media Eject

## Other Control Keys

---

The cursor control keys can also be used as page control keys. Other control keys can take on the functions of certain keys on a PC keyboard, for use with PC emulation software. The Fn key controls the modes of operation of this group of keys. [Table 3-10](#) (page 46) is a list of these keys and their alternate functions. These control keys are also show in [Figure 3-9](#) (page 43).

**Table 3-10** Control keys that change

Key name	Alternate function
Shift	Right shift key
Control	Right control key
Option	Alt gr (right Alt key)
Command	Windows-® key
Enter	Menu key (for contextual menus)
Left arrow	Home
Up arrow	Page up
Down arrow	Page down
Right arrow	End

## Flat Panel Display

The iBook has a built-in color flat panel display. The display is backlit by a cold cathode fluorescent lamp (CCFL). The display uses TFT (thin-film transistor) technology for high contrast and fast response.

Depending on the model, the display is either 12.1 or 14.1 inches in size, measured diagonally. The display contains 1024x768 pixels (XGA) and can show up to millions of colors.

The graphics controller IC is an ATI Mobility Radeon 9200. The graphics IC has 32 MB of video DDR SDRAM on the chip. It supports 3D acceleration and display depths up to 24 bits per pixel. For more information, see [“Graphics IC”](#) (page 23).

The graphics IC includes a scaling function that expands smaller-sized images to fill the screen. By means of the scaling function, the computer can show full-screen images at 1024x768, 800x600, or 640x480 pixels.

## External Display Port

The iBook has a video output port for connecting an external video monitor or projector. The port supports both RGB and composite/S-video signals (for VGA and video) by means of adapters. The port detects the type of adapter connected to it and programs the graphics IC to provide the appropriate type of video signals, as shown in [Table 3-11](#) (page 47).

**Note:** When a dongle is attached to a display, connect the dongle to the display *before* plugging the dongle into the computer.

**Table 3-11** Display adapters

Adapter type	Video signals	Connector type(s)
VGA	RGB	VGA 15-pin miniature D-type
Video	Composite and S-video TV signals	RCA and S-video

Resolutions supported are 640x480, 800x600, and 1024x768 pixels. When either type of display adapter is connected, the settings for the resolutions are selectable in the Systems Preferences Display pane.

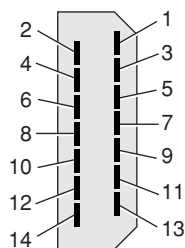
Composite video and S-video signals can be displayed on either an NTSC display or a PAL display. When a display is connected by way of the video adapter, the computer detects the type of adapter and enables the composite and S-video outputs. The settings for the resolutions and standards (NTSC or PAL) are then selectable in the Systems Preferences Display pane.

The video output mirrors the flat panel display: internal and external video share the same buffer, and the hardware sends the image to both displays.

## Video Display Connector

The video display connector is a 14-pin rectangular connector, Hosiden TCX3143, or compatible. The connector pins are identified in [Figure 3-10](#) (page 47).

**Figure 3-10** Video display connector



The iBook detects the type of display adapter that is plugged in and programs the graphics IC to route the appropriate video signals to the connector. The signal assignments on the video connector are shown in [Table 3-12](#) (page 48). The signal assignments for the video adapter are shown in [Table 3-13](#) (page 48).

**Table 3-12** Video signals for a VGA display

Pin	Signal name	Pin	Signal name
1	Ground	8	+5 volts
2	VSync	9	Blue video
3	Hsync	10	DDC data
4	Red return	11	DDC clock
5	Red video	12	Ground
6	Green return	13	/Cable detect
7	Green video	14	Blue return

**Table 3-13** Video signals for a TV display

Pin	Signal name	Pin	Signal name
1	Ground	8	+5 volts
2	n.c.	9	Composite video
3	n.c.	10	DDC data
4	Ground	11	DDC clock
5	S-video C	12	Ground
6	Ground	13	Ground (for /Cable Detect)
7	S-video Y	14	Ground

The cable detect function on pin 13 is implemented by connecting pin 13 to ground in the display cable. The computer detects the video adapter by reading its EDID (Extended Display Identification Data) via DDC (pins 10 and 11).

The video display connector is compliant with the VESA specification (DDC version 3).

## Older Monitors Not Supported

---

The computer supports current video monitors. The detection scheme on some older monitors are not supported and will use default configurations, including the following Apple monitors:

- Multiple Scan 17
- Multiple Scan 20
- AudioVision 14
- Apple Hi-Res RGB



- Apple 16" Color
- Apple Hi-Res Monochrome
- Macintosh 12" RGB

## Sound System

The 16-bit stereo audio circuitry provides sound input through the built-in microphone and the USB port and sound output through the built-in stereo speakers and the audio minijack.

All audio is handled digitally inside the computer, including audio data from the optical drive, the modem, and devices connected to the USB and FireWire ports. Sound data is converted to analog form only for output to the internal speakers and the headphone jack.

The sound circuitry handles audio data as 44.1 kHz 16-bit samples. If audio data sampled at a lower rate on another computer is played as output, the Sound Manager transparently upsamples the data to 44.1 kHz prior to sending the audio data to the sound circuitry.

### Audio Headphone Port

---

The audio headphone port is located on the left side of the computer at the left palm rest. The port accepts a standard stereo mini-plug.

The stereo audio signals at the jack are configured to drive a pair of low-impedance stereo headphones. External powered speakers may also be connected to the headphone jack.

The audio signals on the audio minijack have the following electrical characteristics:

- output impedance: 16 ohms each channel
- minimum recommended load impedance: 32 ohms each channel
- maximum level: 1.5 V rms (4.4 V P-P)
- signal to noise ratio (SNR): greater than 90 dB (A)
- THD+N: less than 0.0315%

### Internal Microphone

---

The computer has a built-in microphone located at the upper right hand corner of the display.

### Internal Speakers

---

The computer has a stereo pair of speakers located between the keyboard and the display. The sound system provides parametric equalization for the speakers. The computer turns off the sound signal to the speakers when headphones are connected to the audio mini-jack and when USB speakers are active.

Sound effects and output from other audio sources can be specified in the System Preferences Sound panel. An output device is displayed on the Sound panel when the computer detects that it is plugged in. The system default setting is the internal audio controller. Once the default is changed to a different device, it will remain the default as long as the device is plugged in.

**Note:** Unlike Mac OS 9, Mac OS X does not automatically switch to USB audio when the device is attached.

## Internal Modem

---

Digital audio data from the modem is read from the I2S interface, processed by the audio software, and transferred by the DMA through the I2S interface of the Intrepid IC to the sound system.

## CD Audio

---

Digital audio data from the optical drive is read using the ATA interface, processed by the audio software, and then transferred by DMA through the I2S interface of the Intrepid IC to the sound system or sent to USB speakers.

# RAM Expansion

---

This chapter tells how to gain access to the RAM expansion slot in the iBook and then describes the RAM expansion module.

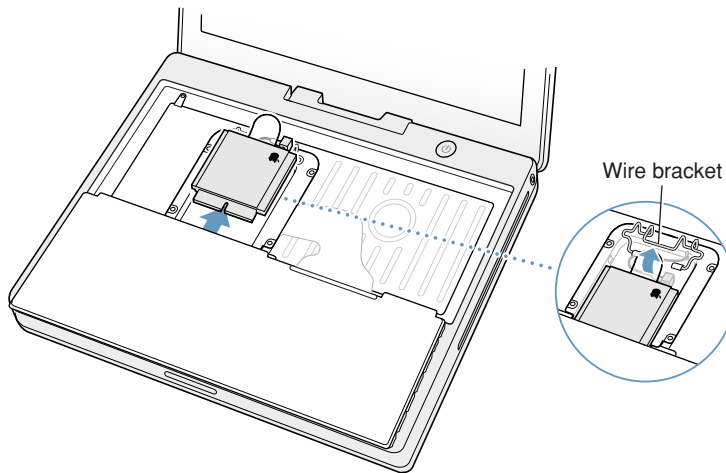
## The RAM Expansion Slot

The iBook has one RAM expansion slot. To get access to the RAM expansion slot, the user must open up the computer. Below is an overview of the steps for opening the computer; for complete instructions, refer to your *iBook User Guide*.

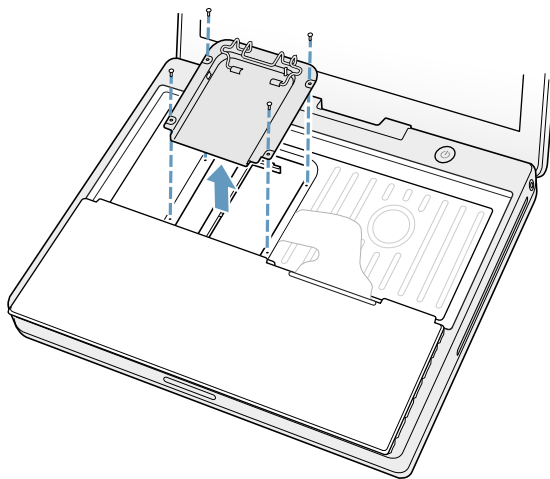
**Important:** The user should be reminded to observe the usual precautions to avoid damage to the electronic components due to static electricity.

1. Shut down the computer.
2. Unplug the AC adapter from the computer.
3. Remove the battery from the computer.
4. Release the two plastic tabs located at the top of the keyboard and pull only on the latches (not on the keys) to lift the keyboard up and turn it over, without disconnecting the keyboard's membrane cable. See [Figure 3-5](#) (page 40).
5. Remove the AirPort Extreme Card, if present, by unlatching the formed wire holder on the card, then pulling the flex tab to remove the module. The antenna cable should remain attached to the card. See [Figure 4-1](#) (page 52).
6. Remove the four screws that secure the metal RAM shield plate and slide the plate toward the rear of the computer, then lift it up and out of the computer. See [Figure 4-2](#) (page 52).
7. If an SO-DIMM currently occupying the memory expansion slot, remove it.

**Figure 4-1** The AirPort Extreme Card and antenna cable



**Figure 4-2** The RAM shield plate



Once the RAM expansion module has been installed in the slot, the user must close up the computer by performing these steps in reverse order. Be careful to replace the shield plate properly so that the AirPort Extreme Card will fit.

**Important:** When replacing the keyboard, make sure the latches at the top line up with the corresponding slots in the case.

If AC and battery power are removed for longer than ten minutes, the user may need to reset the computer's clock (using the Data and Time pane in Systems Preferences) when the computer is turned back on.

## The RAM Expansion Module

The RAM expansion slot accommodates a standard DDR266B (PC2100) SO-DIMM (small outline, dual inline memory module) that uses SDRAM devices.

**Note:** The iBook can accommodate a DDR333 (PC2700) device; however it will run at only 266 MHz.

**Important:** A RAM expansion SO-DIMM for the iBook must use DDR SDRAM devices. If the user installs an SO-DIMM that uses EDO or SGRAM devices, the computer will beep twice when the user attempts to restart the computer.

An SO-DIMM for the iBook can contain either 128, 256, 512 MB, or 1 GB of memory. Maximum supported RAM capacity is 1.25 GB and is limited by the space available for the SO-DIMM.

### Mechanical Design of the RAM SO-DIMM

---

The mechanical characteristics of the RAM expansion module are given in the JEDEC specification JESD95 for the 200-pin 8-byte DRAM SO-DIMM. To find out how to obtain the specification, see [“RAM Expansion Modules”](#) (page 59).

The specification defines SO-DIMMs with nominal heights of 1.0, 1.25, 1.5, or 2.0 inches. The iBook can accommodate standard SO-DIMMs with a height of 1.0 or 1.25 inches.

The JEDEC specification defines the maximum depth or thickness of an SO-DIMM as 4.0 mm. That specification is also a maximum; modules that exceed the specified thickness can cause reliability problems.

### Electrical Design of the RAM SO-DIMM

---

The electrical characteristics of the RAM SO-DIMM are given in section 4.5.6 of the JEDEC Standard 21-C, release 7. To find out how to obtain the specification, see [“RAM Expansion Modules”](#) (page 59).

The specification defines several attributes of the DIMM, including storage capacity and configuration, connector pin assignments, and electrical loading. The specification supports SO-DIMMs with either one or two banks of memory.

The JEDEC specification for the SO-DIMM defines a Serial Presence Detect (SPD) feature that contains the attributes of the module. SO-DIMMs for use in the iBook are required to have the SPD feature. Information about the required values to be stored in the presence detect EEPROM is in section 4.1.2.5 and Figure 4.5.6–C (200-pin SDRAM SO-DIMM, PD INFORMATION) of the JEDEC standard 21-C specification, release 7.

### DDR SDRAM Devices

---

The DDR SDRAM devices used in the RAM expansion modules must be self-refresh type devices for operation from a 2.5 V power supply.

The devices are programmed to operate with a CAS latency of 2.5 or 3. At these CAS latencies, the access time from the clock transition must be 7.5 ns or less. The burst length must be at least 4 and the minimum clock delay for back-to-back random column access cycles must be a latency of 1 clock cycle.

## Configuration of RAM SO-DIMMs

[Table 4-1](#) (page 24) shows information about the different sizes of SO-DIMMs used in the iBook. The first three columns show the memory size, configuration, and number of banks in the SO-DIMMs. The other three columns show the number, density, and configuration of the DDR SDRAM devices making up the memory modules.

**Table 4-1** Sizes of RAM expansion modules and devices

SO-DIMM size	SO-DIMM configuration (MB x bits)	Number of devices	Device configuration (MB x bits)	Number of banks
128 MB	16 x 64	8	16 x 8	1
128 MB	16 x 64	8	8 x 16	2
256 MB	32 x 64	16	16 x 8	2
256 MB	32 x 64	8	32 x 8	1
256 MB	32 x 64	8	16 x 16	2
512 MB	64 x 64	8	64 x 8	2
512 MB	64 x 64	16	32 x 8	2

## Address Multiplexing

Signals A[0] – A[12] and BA[0] – BA[1] on each DDR SDRAM SO-DIMM make up a 15-bit multiplexed address bus that can support several different types of DDR SDRAM devices. [Table 4-2](#) (page 54) lists the types of devices that can be used in the iBook by size, configuration, and sizes of row, column, and bank addresses.

**Important:** The iBook supports only the types of DDR SDRAM devices specified in [Table 4-2](#) (page 54). Other types of DRAM devices should not be used with this computer.

**Table 4-2** Types of DDR DRAM devices

Device size	Device configuration (bytes x bits x banks)	Row address bits	Column address bits
128 Mbits	4 M x 8 x 4	12	10
128 Mbits	2 M x 16 x 4	12	9
128 Mbits	1 M x 32 x 4	12	8
256 Mbits	8 M x 8 x 4	13	10
256 Mbits	4 M x 16 x 4	13	9

Device size	Device configuration (bytes x bits x banks)	Row address bits	Column address bits
512 Mbits	16 M x 8x 4	13	11

## DDR RAM SO-DIMM Electrical Limits

---

Each RAM SO-DIMM must not exceed the following maximum current limits on the +2.5 V supply:

Active: 1.2 A (maximum of 8 devices per bank, 150 mA per device)

Sleep: 12 mA (total for all banks)

The maximum current specified for active operation generally rules out the use of 4-bit-wide DDR SDRAM devices in a RAM expansion module. Such a module would have 16 such devices per bank, and the 1.2 A maximum current would allow only about 75 mA per device. To stay within the current limits, RAM expansion modules should use only 8-bit or 16-bit DDR SDRAM devices.





# Supplemental Reference Documents

---

This section contains additional information about the technologies mentioned in this developer note by providing references to helpful websites.

For information about older models of Macintosh computers, refer to the developer notes archive at:

<http://developer.apple.com/documentation/Hardware/hardware2.html>

## Apple Technical Notes

Apple Technical Notes answer many specific questions about the operation of Macintosh computers and the Mac OS. The technical notes are available on the website at

<http://developer.apple.com/technotes/>

## 3D Graphics

Developers of 3D graphics for games should know about OpenGL for Macintosh<sup>®</sup>, a new version of SGI's application programming interface (API) and software library for 3D graphics.

General information on OpenGL is available on the World Wide Web at

<http://www.apple.com/macosx/technologies/graphics.html>

and

<http://www.opengl.org>

Developer support and documentation is available at

<http://developer.apple.com/opengl/>

## PowerPC G4 Microprocessor

Information about the PowerPC G4 microprocessor is available on the World Wide Web at

[http://e-www.motorola.com/webapp/sps/site/prod\\_summary.jsp?code=MPC7447A&nodeId=018rH3bTdG8653](http://e-www.motorola.com/webapp/sps/site/prod_summary.jsp?code=MPC7447A&nodeId=018rH3bTdG8653)

## Mac OS X

Mac OS X version 10.3.5 is installed by default on the iBook computer. For access to Apple's developer documentation for Mac OS X, see the Apple Developer Connection (ADC) website at

<http://developer.apple.com/documentation/MacOSX/index.html>

O'Reilly & Associates publishes a series of books about Mac OS X development. The books in this series have been technically reviewed by Apple engineers and are recommended by the Apple Developer Connection.

## I/O Kit

The I/O Kit is part of Darwin, the operating system foundation for Mac OS X. The documentation for I/O Kit is available on Apple's Darwin website at

<http://developer.apple.com/documentation/Darwin/Darwin.html>

## Open Firmware

The following technical notes provide an introduction to Open Firmware on the Macintosh platform:

*TN1061: Open Firmware, Part I*, available on the technical note web site at

<http://developer.apple.com/technotes/tn/tn1061.html>

*TN1062: Open Firmware, Part II*, available on the technical note web site at

<http://developer.apple.com/technotes/tn/tn1062.html>

*TN1044: Open Firmware, Part III*, available on the technical note web site at

<http://developer.apple.com/technotes/tn/tn1044.html>

*TN2001: Running Files from a Hard Drive in Open Firmware*, at

<http://developer.apple.com/technotes/tn/tn2001.html>

Another technical note tells how to debug open firmware code. Please refer to *TN2004: Debugging Open Firmware Using Telnet*, available on the technical note web site at

<http://developer.apple.com/technotes/tn/tn2004.html>

## RAM Expansion Modules

The mechanical characteristics of the DDR RAM SO-DIMM are given in JEDEC specification number JESD95. The specification can be found by using the search string JESD95 on the Electronics Industry Association's website at

<http://www.jedec.org/DOWNLOAD/default.cfm>

The electrical characteristics of the DDR RAM SO-DIMM are given in JEDEC Standard 21-C. The specification can be found by using the search string JESD21-C on the Electronics Industry Association's website at

<http://www.jedec.org/DOWNLOAD/default.cfm>

## ATA Devices

ATA (AT Attachment), also referred to as integrated drive electronics (IDE), is a standard interface used with storage devices such as hard disk drives. For more information on ATA, refer to the following Apple website at

<http://developer.apple.com/documentation/Hardware/DeviceManagers/ata/ata.html>

Information about the ATA standards is available at the Technical Committee T13 AT Attachment website, at

<http://www.t13.org/>

## USB Interface

For more information about USB on Macintosh computers, refer to Apple Computer's *Accessing Hardware from Applications*. Information is also available at

<http://developer.apple.com/hardwaredrivers/usb/index.html>

Mac OS X includes support for a wide variety of USB classes. Detailed specifications on these classes available at

<http://www.usb.org/developers/devclass/>

For full specifications of the Universal Serial Bus, refer to the USB Implementers Forum on the World Wide Web, at:

<http://www.usb.org/developers/docs>

## FireWire 400 Interface

For additional information about the FireWire 400 IEEE 1394a interface and the Apple APIs for FireWire software, refer to the resources available on the Apple FireWire web site at:

<http://developer.apple.com/firewire/index.html>

The IEEE 1394 standard is available from the IEEE. Ordering information can be found on the World Wide Web at

<http://shop.ieee.org/store>

Useful information is also available at the 1394 Trade Association's web site:

<http://www.1394ta.org/>

## Wireless Networks

More information about Wi-Fi and wireless networks using the IEEE 802.11 standard is available on the web site of the WiFi Alliance, at

<http://www.wi-fi.org>

## Bluetooth

For more information regarding Bluetooth technology, refer to the following locations on the World Wide Web.

Bluetooth specification:

<http://www.bluetooth.org/spec/>

Bluetooth SIG:

<http://www.bluetooth.org>

Bluetooth developer tools on the Apple web site at:

<http://developer.apple.com/hardware/drivers/bluetooth/>

# Conventions and Abbreviations

---

This developer note uses the following typographical conventions and abbreviations.

## Typographical Conventions

**Note:** A note like this contains information that is of interest but is not essential for an understanding of the text.

**Important:** A note like this contains important information that you should read before proceeding.

## Abbreviations

When unusual abbreviations appear in this developer note, the corresponding terms are also spelled out. Standard units of measure and other widely used abbreviations are not spelled out.

Here are the standard units of measure used in developer notes:

A	amperes	MB	megabytes
dB	decibels	Mbps	megabits per second
GB	gigabytes	Mbit	megabits
Hz	hertz	MHz	megahertz
KB	kilobytes	mm	millimeters
kg	kilograms	ns	nanoseconds
kHz	kilohertz	V	volts
mA	milliamperes	VDC	volts direct current
mAh	milliampere-hours		

Other abbreviations used in developer notes include these:

10Base-T	an Ethernet standard for data transmission at 10 Mbits per second
----------	---

100Base-T	an Ethernet standard for data transmission at 100 Mbits per second
ADB	Apple Desktop Bus
ADC	Apple Display Connector
AGP	accelerated graphics port
AIM	ATA Interface Module
AP	access point, for a wireless LAN
API	application programming interface
ASIC	application-specific integrated circuit
ATA	AT attachment
ATAPI	AT Attachment Packet Interface
CAS	column address strobe, a memory control signal
CAV	constant angular velocity
CD	compact disc
CD-ROM	compact disc read-only memory
CLV	constant linear velocity
CPU	central processing unit
DAA	data access adapter (a telephone line interface)
DAC	digital-to-analog converter
DDC	display data channel
DDR	double data rate, a type of SDRAM where data is clocked on rising and falling clock edges
DFS	dynamic frequency switching
DIMM	Dual Inline Memory Module
DMA	direct memory access
DSP	digital signal processor
DSSS	direct-sequence spread-spectrum
EDID	Extended Display Identification Data
EDO	extended data out
G4	Generation 4, the fourth generation of PowerPC microprocessors

GND	ground
HFS	hierarchical file system
HCRP	hardcopy cable replacement profiler
HID	human interface device, a class of USB devices
I2C	inter IC control bus
I2S	inter IC sound bus
IC	integrated circuit
IDE	integrated device electronics
IIC	inter IC control bus (same as I2C)
IIS	inter IC sound bus (same as I2S)
I/O	input and output
ISM	industrial, scientific, and medicine
ISO	International Organization for Standardization
JEDEC	Joint Electron Device Engineering Council
L1	level 1 or first level, a type of CPU cache
L2	level 2 or second level, a type of CPU cache
LAN	local area network
LED	light emitting diode
MAC	media access controller
Mac OS	Macintosh Operating System
modem	modulator-demodulator, a data communications interface for use with analog telephone lines
NMI	nonmaskable interrupt
NOP	no operation
NTSC	National Television System Committee; the standard system used for broadcast TV in North America and Japan
NV-RAM	nonvolatile random-access memory
OHCI	Open Host Controller Interface
OS	operating system

PAL	Phase Alternate Lines; the standard for broadcast TV in most of Europe, Africa, South America, and southern Asia
PCAV	partial constant angular velocity (CLV at small radius, CAV at large radius)
PCI	Peripheral Component Interconnect
PHY	physical layer
PLL	phase-locked loop
POST	power-on self test
RADIUS	Remote Authentication Dial-In User Service
RAM	random-access memory
RF	radio frequency
rms	root mean square
ROM	read-only memory
SCC	Serial Communications Controller
SDRAM	synchronous dynamic RAM
SNR	signal to noise ratio
SO-DIMM	small outline dual inline memory module
SPD	Serial Presence Detect, a feature of the SO-DIMM
USB	Universal Serial Bus
TDM	target disk mode
THD+N	total harmonic distortion plus noise
VCC	positive supply voltage (voltage for collectors)
VESA	Video Electronics Standards Association
VGA	video graphics adapter
WEP	Wired Equivalent Privacy
Wi-Fi	Logo used by the Wireless Ethernet Compatibility Alliance for certification of interoperability of 802.11 products
WLAN	wireless LAN
ZCLV	zone constant linear velocity



# Index

---

## Numerals

---

3D graphics, reference information for [57](#)

## A

---

abbreviations [61–64](#)  
access to internal components [39, 52](#)  
airliner power outlet [14, 25](#)  
AirPort Admin Utility [32](#)  
AirPort Extreme [25, 31–32](#)  
    hardware components [32](#)  
    security features [32](#)  
    software components [32](#)  
AirPort Extreme Application [32](#)  
AirPort Extreme Base Station [32](#)  
AirPort Extreme Setup Assistant [32](#)  
ATA bus [33, 38](#)  
ATA disk interface [33](#)  
ATA hard disk [33](#)

## B

---

backside cache [21](#)  
block diagram [19](#)  
Bluetooth [33, 60](#)  
boot ROM [22](#)  
booting from a FireWire device [30](#)  
box flag [15](#)  
buses [19, 20, 21](#)

## C

---

CD audio [50](#)  
CD-ROM drive [37](#)  
clock speeds [21](#)

Combo drive [38](#)  
connectors  
    Ethernet [30](#)  
    external video display [47](#)  
    FireWire [29](#)  
    hard disk drive [35](#)  
    headphone jack [49](#)  
    headphone port [49](#)  
    modem [31](#)  
    USB [27](#)  
custom ICs  
    Intrepid memory and I/O controller IC [21](#)

## D

---

DFS [16](#)  
displays  
    flat panel [46](#)  
DMA support [22, 23](#)  
DVD-ROM drive [37](#)  
DVD-ROM/CD-RW drive [38](#)

## E

---

EHCI [25](#)  
EIDE bus [24](#)  
Energy Star standard [16](#)  
Ethernet controller [22](#)  
Ethernet port [30](#)  
external display port  
    monitors not supported [48](#)  
    resolutions supported [47](#)  
external monitor port [47](#)

## F

---

features  
    all [11](#)

- new 11
- FireWire connector 29
- FireWire controller 23
- FireWire port
  - booting from 30
- FireWire ports 28–30
  - connectors 29
- FireWire, reference information for 60
- flat panel display 46
- function keys, alternate functions of 45

## G

---

- G4. *See* PowerPC G4 microprocessor
- gestaltMachineType call 15
- graphics address remapping table (GART) 23
- graphics IC 23, 46

## H

---

- hard disk connector 35
  - pin assignments on 35
  - signals on 36
- hard disk drive 33–37
  - connector
    - ATA signals on 36
    - pin assignments on 35
  - dimensions and mounting holes 34
- HCRP profile 33
- headphone port 49
- HID profile 33
- HSP profile 33

## I

---

- IDE disk interface. *See* ATA disk interface
- IDE hard disk 33
  - See also* hard disk drive
- identifying the machine 15
- internal modem 24, 31
- interrupts 23
- Intrepid memory and I/O controller IC 21

## K

---

- keyboard 39–46
  - control keys with alternate functions 46

- Fn key 44
- keys with multiple functions 43
- Num Lock key 44
- PMU99 interface for 25
- removing 39, 52

## L

---

- L2 cache 21

## M

---

- memory. *See* RAM expansion module
- microphone 49
- microprocessor 21
- microprocessor clock speeds 21
- modem 24
  - modem, internal 31
- monitor adapters 47

## N

---

- new features 11
- NTSC display 47

## O

---

- OHCI 25
- Open Firmware, reference information for 58

## P

---

- PAL display 47
- PCI USB 2.0 controller 25
- peripheral devices 14
- PMU99 power controller IC 25
- pointing device (trackpad) 39
- power control IC 25
- power management 15
- power outlet, airliner 14, 25
- power saving states 15
- PowerPC G4 microprocessor 21

## R

---

RAM expansion 51–55  
 RAM expansion module 53–55  
   capacities 53  
 RAM expansion slot, getting access to 51  
 ROM. *See* boot ROM

## S

---

SDRAM device specifications 53  
 Serial Presence Detect mechanism 53  
 sleep state 15  
 SO-DIMMs 53  
   address multiplexing on 54  
   configurations 54  
   electrical design of 53  
   electrical limits for 55  
   mechanical design of 53  
   SDRAM device specifications 53  
   Serial Presence Detect mechanism on 53  
 sound circuitry 24  
 sound sample rate 49  
 sound system 49–50  
   CD audio 50  
   electrical characteristics 49  
   internal speakers 49  
   signals to and from the modem 50  
 speakers 49  
 SuperDrive 38  
 system software 15–16  
   idle state 15  
   machine identification 15  
   sleep state 15  
   Target Disk Mode 16

## T

---

Target Disk Mode 16  
 trackpad 39  
   PMU99 interface for 25  
 TV display adapter 47

## U

---

Ultra ATA-100 bus 33  
 USB 1.1 controller 24  
 USB 2.0 25

USB 2.0 controller IC 25  
 USB 2.0 ports  
   data transfer speeds 25  
 USB connector 27  
 USB ports 27–28  
   connectors 27  
   data transfer speeds 28  
   features  
     storage devices 28  
 USB, reference information for 59

## V

---

VGA display 47  
 VGA display adapter 46  
 video display connector 47  
 video port. *See* external monitor port

## W

---

wireless LAN module. *See* AirPort Extreme